

# S1000ML5AC5M

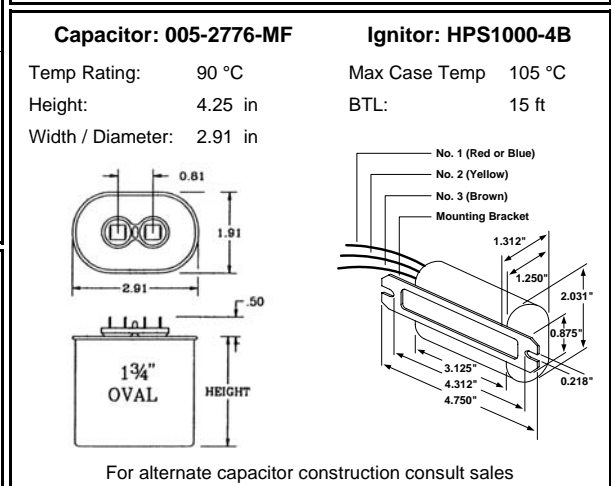
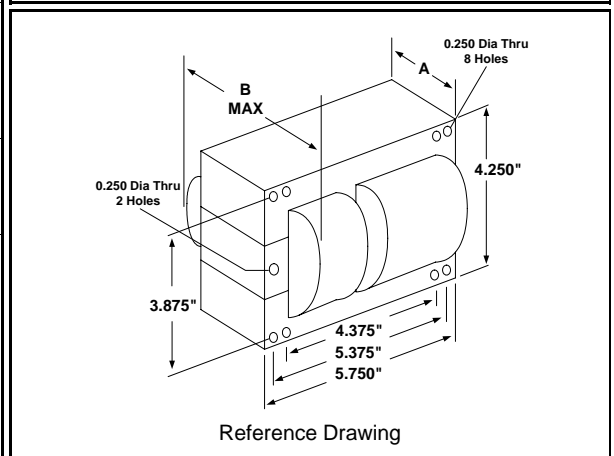
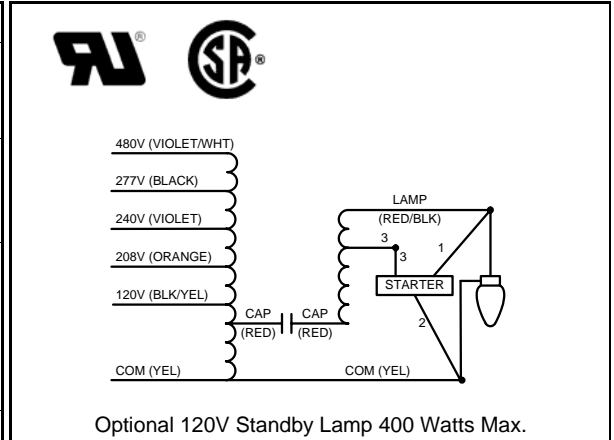
1000W S52

High Pressure Sodium

60Hz CWA

## Specification Sheet

<b>Input Volts</b>	120	208	240	277	480
<b>Regulation</b>					
Line Volts	±10%	±10%	±10%	±10%	±10%
Lamp Watts	±10%	±10%	±10%	±10%	±10%
Power Factor (min)	90%	90%	90%	90%	90%
Input Watts	1100 W	1100 W	1100 W	1100 W	1100 W
NOM. Open Circuit Voltage	440 V	440 V	440 V	440 V	440 V
<b>Line Current (Amps)</b>					
Operating	9.45	5.45	4.75	4.10	2.35
Open Circuit	4.85	2.80	2.40	2.10	1.20
Starting	6.90	4.00	3.45	3.00	1.75
Recommended Fuse (Amps)	20	15	10	10	8
Lamp Dropout Voltage (Line)	90 V	160 V	185 V	210 V	350 V
<b>UL Temperature Ratings</b>					
Insulation Class	H (180°C)	H (180°C)	H (180°C)	H (180°C)	H (180°C)
Temperature Code	D	D	D	D	D
MIN. Starting Temperature	-40°F -40°C	-40°F -40°C	-40°F -40°C	-40°F -40°C	-40°F -40°C
<b>CAPACITOR Specifications</b>					
Microfarads	26 uf	26 uf	26 uf	26 uf	26 uf
Volts (min.)	525 V	525 V	525 V	525 V	525 V
<b>60Hz Test Procedures</b>					
High Potential Test 1 Minute	2000 V	2000 V	2000 V	2000 V	2000 V
High Potential Test 1 Second	2500 V	2500 V	2500 V	2500 V	2500 V
Secondary Open Ckt Voltage (V)	395 - 485	395 - 485	395 - 485	395 - 485	395 - 485
Secondary Current Shorted (A)	6.30 - 7.80	6.30 - 7.80	6.30 - 7.80	6.30 - 7.80	6.30 - 7.80
Input Operating Current (A)	8.45 - 10.40	4.90 - 6.00	4.25 - 5.25	3.65 - 4.50	2.10 - 2.60
Input Open Circuit Current (A)	2.40 - 7.05	1.35 - 4.05	1.20 - 3.55	1.00 - 3.05	0.60 - 1.80
Input Short Circuit Current (A)	5.00 - 7.60	2.90 - 4.40	2.50 - 3.80	2.20 - 3.35	1.25 - 1.90
<b>Core and Coil Specifications</b>					
Dimension A	3.75 in	3.75 in	3.75 in	3.75 in	3.75 in
Dimension B	5.55 in	5.55 in	5.55 in	5.55 in	5.55 in
Weight	26.0 lbs	26.0 lbs	26.0 lbs	26.0 lbs	26.0 lbs
Lead Lengths (inches)	12-14	12-14	12-14	12-14	12-14
Coil Material (Pri. / Sec.):	Cu / Cu	Cu / Cu	Cu / Cu	Cu / Cu	Cu / Cu



Document #:	010-9751-03
Date:	11/17/2008
Status:	Production
Replaces Catalog #:	New Design

Data is based upon tests performed by Universal Lighting Technologies in a controlled environment and is representative of relative performance. Actual performance may vary depending on operating conditions. Specifications are subject to change without notice.