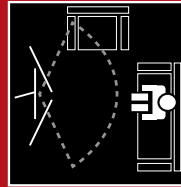


peerless-AV®

FULL-MOTION TILTING TV WALL MOUNT

For 32" - 65" TVs



VESA®

Fits 32" to 65" (81-165cm) TVs with VESA® 100, 200, 300, 400, 300 x 200, 400 x 300 and 600 x 400mm mounting patterns



ADJUST

Extends, turns and tilts with a full range of motion for the ideal viewing position



ROLL

After installation, TV can be rotated left and right ensuring it is level with its surroundings



LEVEL

Ensure alignment with included level



ORGANIZE

Cable management, protects and conceals your cables



RoHS
2002/95/EC

MADE IN
USA™

tru·vue™

TVA765

TVA765

FULL-MOTION TILTING TV WALL MOUNT FOR 32"-65" TVs

The TVA765 Full-Motion Tilting TV wall mount gives you the maximum range of motion for your display. Smoothly tilt 15° forward or 15° backward, swivel, or extend your TV up to 20 inches from the wall, to position your display for perfect viewing anywhere in the room. Tilting is effortless and tool-less, making it easy to reduce glare. This pre-assembled mount is not only quick and easy to install, but also its innovative design conceals your cables, with provided cable straps along the length of the mount, giving you a clean and neat appearance.

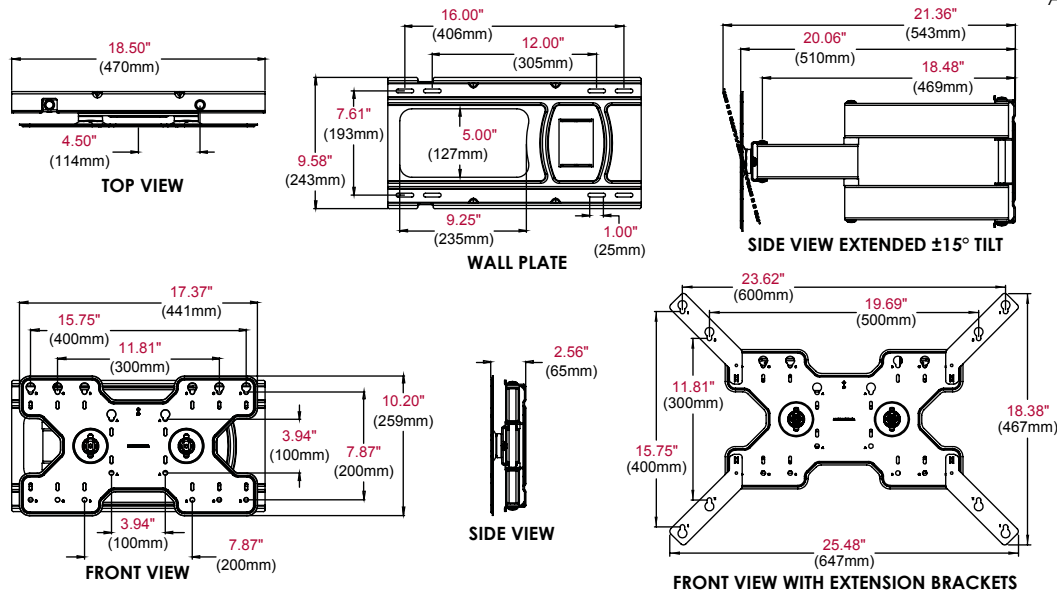
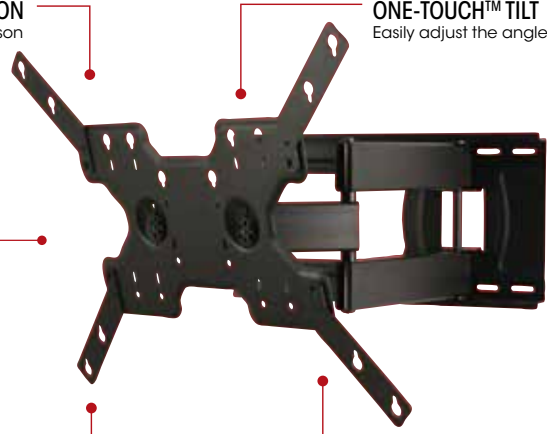
HOOK-AND-HANG INSTALLATION
TV is easily installed by a single person

ONE-TOUCH™ TILT
Easily adjust the angle of the TV

MOUNTS TO WOOD STUD, CONCRETE, CINDER OR BREEZE BLOCK
Can be mounted anywhere in the home

VESA® COMPATIBLE
Accommodates a variety of TV mounting patterns

EXTENDS UP TO 20.07" (510mm)
Offers the perfect viewing angle



All dimensions = inch (mm)

Product Specifications

	PACKAGE SIZE (L x W x H)	PACKAGE SHIP WEIGHT	PACKAGE UPC	UNITS IN PACKAGE	LOAD CAPACITY	AVAILABLE COLORS
TVA765	11" x 21.6" x 3.1" (279 x 549 x 79mm)	17.53lb (8kg)	735029293156	1	105lb (48kg)	Black

Ordering Specifications

	MASTER PACK SIZE (L x W x H)	MASTER PACK SHIP WEIGHT	MASTER PACK UPC	UNITS IN MASTER PACK
TVA765	11" x 22" x 3" (279 x 559 x 76mm)	18lb (8kg)	10735029293153	1