

STL670

# SMARTMOUNT LT

## Tilting Wall Mount

For 39" to 75" Displays

The SmartMountLT™ series tilting wall mounts are easy to install and offer display angle versatility. Designed for medium to larger displays, the Hook-and-Hang™ system means even one person can easily install even larger displays. The Easy-Glide™ adaptors easily hook into the wall plate for quick, simple and secure installation. The low-profile design holds the display just 2.66" (67mm) from the wall. After installation, use the side-to-side adjustment to perfectly position the display. The +15°/-5° of tool-less tilt ensures you'll always have the perfect viewing angle. With the IncreLok™ tilt technology, you can lock the tilt angle at installation, and prevent tampering or moving. Plus, the open wall plate allows total wall access, which increases electrical and cable management options.



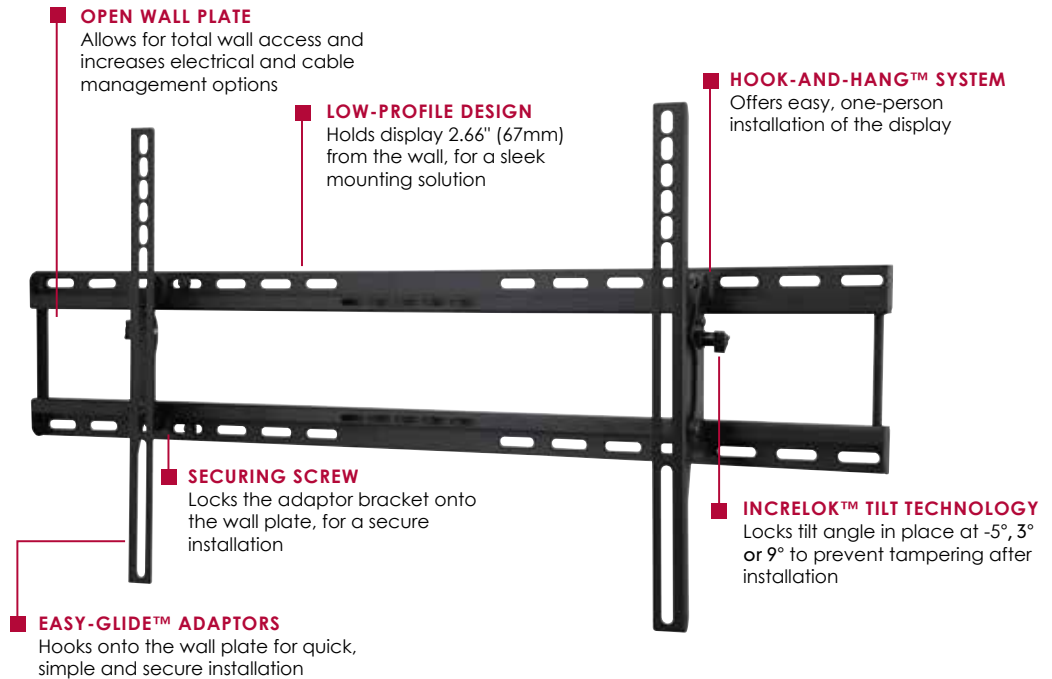
Display size: 39"-75"



Max load: 105lb (48kg)

### FEATURES

- Fits 39" to 75" displays, up to 105lb (48kg)
- The low-profile design holds the display just 2.66" (67mm) from the wall creating an ultra-low-profile finish perfect for today's ultra-slim displays
- Quick and easy, Hook-and-Hang™ one-person installation
- Side-to-side adjustment allows for perfect display positioning
- +15°/-5° of tool-less tilt allows you to adjust for the perfect viewing angle
- Mounts to wood studs, concrete, cinder block or metal studs (metal stud accessory required)
- Installation hardware included
- UL Listed
- Five-year warranty



+15°/-5° of tool-less tilt



Low profile design — sits just 2.66" (67mm) from the wall



Patented. Utility Patent No. 8,157,233 8,282,059 8,313,073.

CLICK: [peerless-av.com](http://peerless-av.com)

CALL: 800.865.2112

FAX: 800.359.6500

peerless-AV®

|               |  |
|---------------|--|
| <b>STL670</b> | SmartMountLT™ Tilting Wall Mount for 39" to 75" Displays |
|---------------|--|

Product Specifications

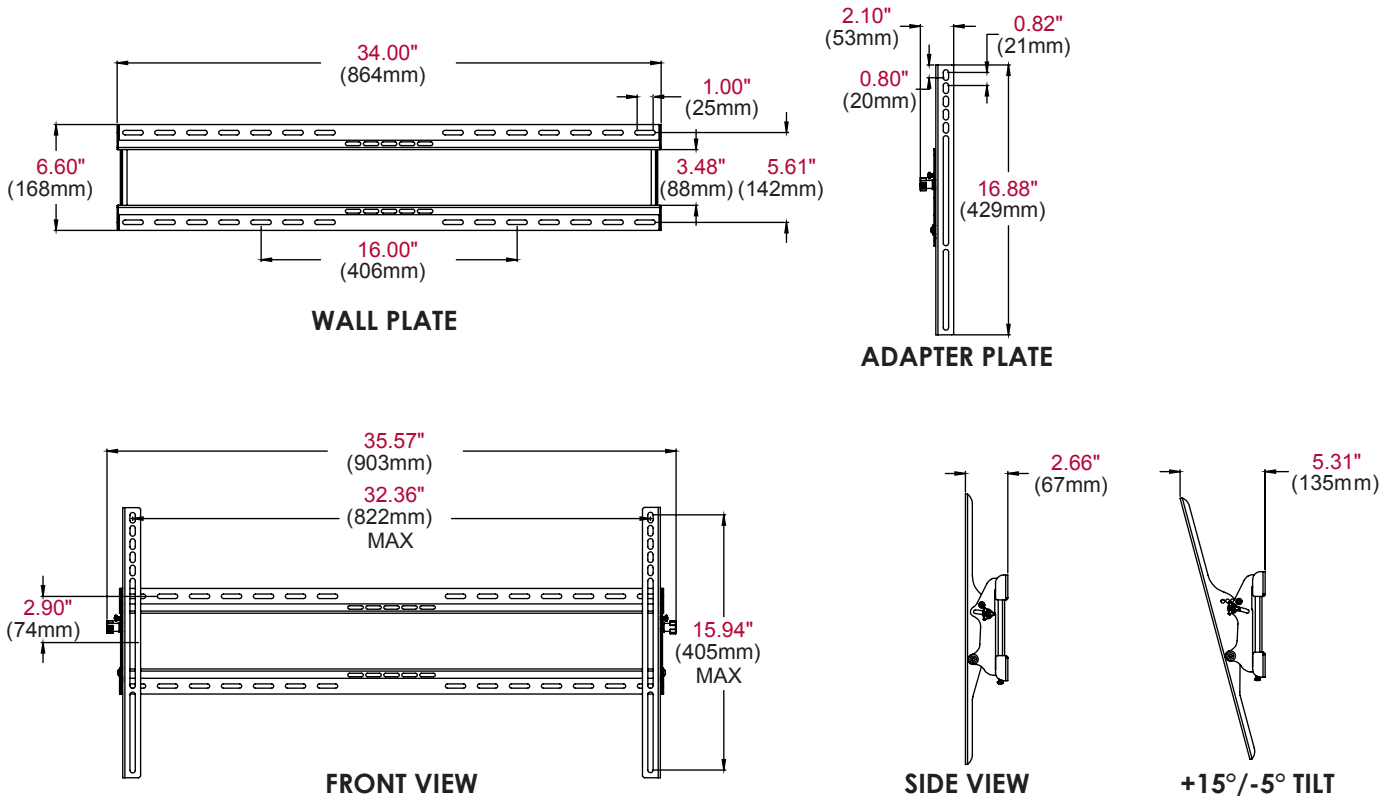
|               | DIMENSIONS (W x H x D)                                  | PRODUCT WEIGHT  | LOAD CAPACITY | FINISH | AVAILABLE COLORS |
|---------------|---|-----------------|---------------|--------|------------------|
| <b>STL670</b> | 35.57" x 16.88" x 2.66"-5.31"<br>(903 x 429 x 67-135mm) | 5.25lb (2.38kg) | 105lb (48kg)  | Matte  | Black            |

Package Specifications

|               | PACKAGE SIZE (W x H x D)                     | PACKAGE SHIP WEIGHT | PACKAGE UPC CODE | PACKAGE CONTENTS  | UNITS IN PACKAGE |
|---------------|--|---------------------|------------------|---|------------------|
| <b>STL670</b> | 34.75" x 7.25" x 2.50"<br>(883 x 184 x 64mm) | 6.50lb (2.95kg)     | 735029292715     | Wall mount, attachment hardware and installation instructions | 1                |

Accessories

|                |                                 |                |                                  |
|----------------|---------------------------------|----------------|----------------------------------|
| <b>ESHV10:</b> | Single AV Wall Shelf            | <b>ACC415:</b> | Metal Stud Fastener Kit          |
| <b>ESHV20:</b> | Single AV Wall Shelf with Glass | <b>ACC925:</b> | Security Fasteners for Wall Arms |
| <b>ESHV30:</b> | Dual AV Wall Shelf with Glass   |                |                                  |



ARCHITECTS SPECIFICATIONS

The Tilting Wall Mount shall be a Peerless-AV model STL670 and shall be located where indicated on the plans. Assembly and installation shall be done according to instructions provided by the manufacturer.

Peerless Industries, Inc. ■ 2300 White Oak Circle ■ Aurora, IL 60502 ■ (800) 865-2112 ■ (630) 375-5100 ■ Fax: (800) 359-6500 ■ peerless-av.com

Visit peerless-av.com to see the complete line of AV solutions from Peerless-AV, including flat panel mounts, projector mounts, carts/stands, furniture, cables, screen cleaners and a full assortment of accessories.