

STL637

SMARTMOUNT LT Tilting Wall Mount For 22" to 40" Displays

The SmartMountLT™ series tilting wall mounts offer both easy installation and versatile display adjustment. Designed for smaller displays, the mounts hold the display just 2.05" (52mm) from the wall. The One-Touch™ tilt feature allows you to smoothly and easily adjust the viewing angle of the display $\pm 15^\circ$. After the display has been installed, the $\pm 5^\circ$ roll ensures the display is perfectly level. The landscape or portrait mounting options offers versatility for installation applications.



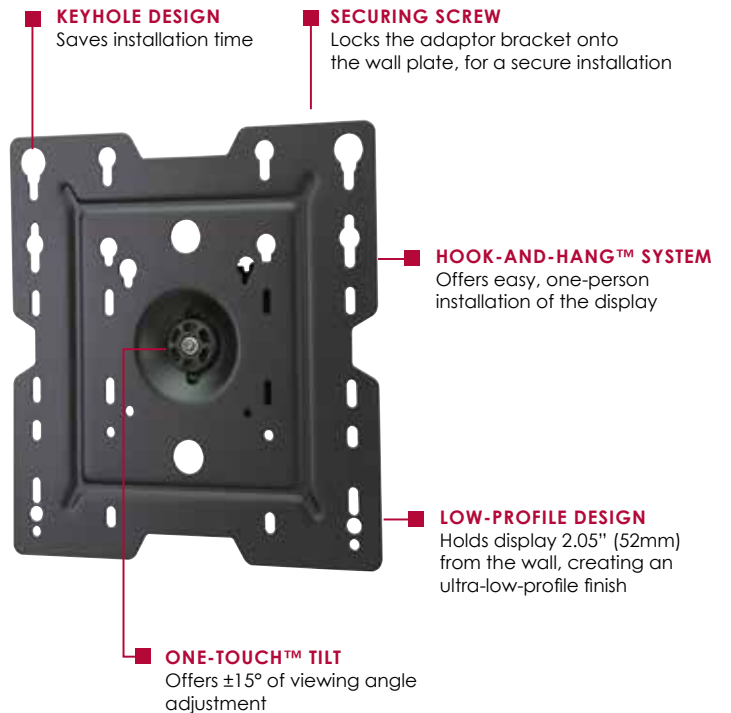
Display size: 22"-40"



Max load: 55lb (25kg)

FEATURES

- Fits 22" to 40" displays, up to 55lb (25kg)
- The low-profile design holds the display just 2.05" (52mm) from the wall creating an ultra-low-profile finish perfect for today's ultra-slim displays
- Quick and easy, Hook-and-Hang™ one-person installation
- Landscape or portrait mounting options increase display versatility
- Easy leveling $\pm 5^\circ$ after display installation
- Mounts to wood studs, concrete, cinder block or metal studs (metal stud accessory required)
- VESA® 75, 100, 100 x 200, 200 x 100, and 200 x 200mm compliant
- Installation hardware included
- UL Listed
- Five-year warranty



$\pm 15^\circ$ of viewing angle adjustment



Low profile design — sits just 2.05" (52mm) from the wall



Patented. Utility Patent Nos. 8,313,073 8,282,059 8,157,233

CLICK: peerless-av.com

CALL: 800.865.2112

FAX: 800.359.6500

peerless-AV®

STL637	SmartMountLT™ Tilting Wall Mount for 22" to 40" Displays
---------------	--

Product Specifications

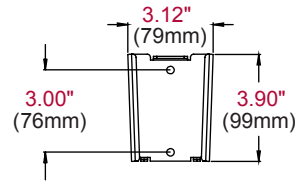
	DIMENSIONS (W x H x D)	PRODUCT WEIGHT	LOAD CAPACITY	FINISH	AVAILABLE COLORS
STL637	9.00" x 9.70" x 2.05"-3.38" (229 x 246 x 52-86mm)	2.41lb (1.09kg)	55lb (25kg)	Matte	Black

Package Specifications

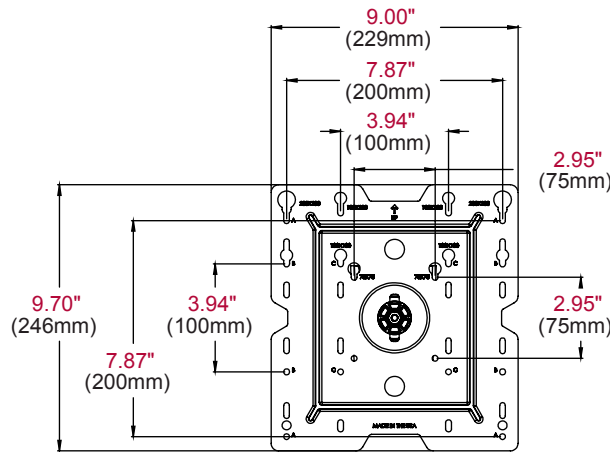
	PACKAGE SIZE (W x H x D)	PACKAGE SHIP WEIGHT	PACKAGE UPC CODE	PACKAGE CONTENTS	UNITS IN PACKAGE
STL637	10.80" x 9.60" x 2.50" (274 x 244 x 64mm)	3.30lb (1.50kg)	735029292692	Wall mount, attachment hardware and installation instructions	1

Accessories

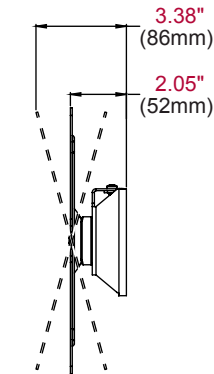
ACC973:	VESA® 400 x 400mm Adaptor Plates	ACC215:	Metal Stud Fastener Kit
ESHV10:	Single AV Wall Shelf		
ESHV20:	Single AV Wall Shelf with Glass		
ESHV30:	Dual AV Wall Shelf with Glass		



WALL PLATE



FRONT VIEW



**SIDE VIEW
+/-15° TILT**

ARCHITECTS SPECIFICATIONS

The Tilting Wall Mount shall be a Peerless-AV model STL637 and shall be located where indicated on the plans. Assembly and installation shall be done according to instructions provided by the manufacturer.