

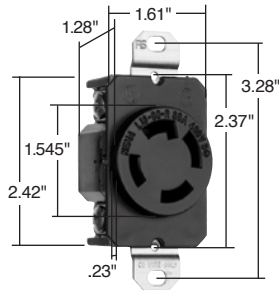
Pass & Seymour



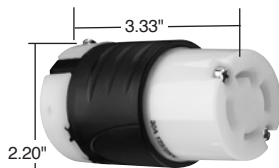
Industrial Spec Grade Turnlok® Locking Devices

30 Amp NEMA L1430 & L1530

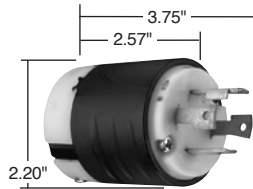
3 Pole, 4 Wire 30A, 125/250V; 3ø, 250V



30A Receptacle



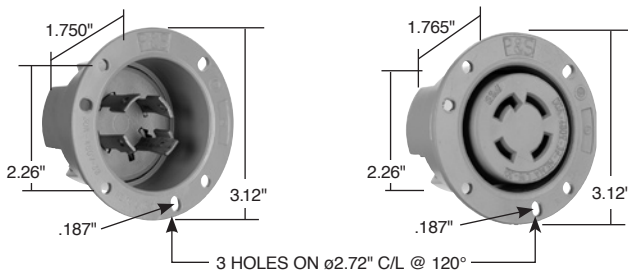
30A Connector



30A Plug

| Catalog Number | Rating A. V. | Description/Color | Cord Diameter | NEMA Config. No. | 3rd Party Compliance | | |
|-------------------------------------|--------------|--|---------------|------------------|----------------------|------------|-----|
| | | | | | UL498 | FSUL WC596 | CSA |
| Receptacles | | | | | | | |
| L1430R | 30 125/250 | Single Receptacle | | L14-30R | • | • | • |
| IGL1430R | 30 125/250 | Single Receptacle, Orange, Isolated Ground | | L14-30R | • | | • |
| L1530R | 30 3ø, 250 | Single Receptacle | | L15-30R | • | • | • |
| IGL1530R | 30 3ø, 250 | Single Receptacle, Orange, Isolated Ground | | L15-30R | • | | • |
| Connectors IP20 Suitability | | | | | | | |
| L1430C | 30 125/250 | Black Back, White Front Body | .385"-1.150" | L14-30R | • | • | • |
| CRL1430C | 30 125/250 | Yellow Back, White Front Body, Corrosion-Resistant | .385"-1.150" | L14-30R | • | • | • |
| L1530C | 30 3ø, 250 | Black Back, White Front Body | .385"-1.150" | L15-30R | • | • | • |
| L1530CBK | 30 3ø, 250 | Black Back, Black Front Body | .385"-1.150" | L15-30R | • | • | • |
| Plugs IP20 Suitability | | | | | | | |
| L1430P | 30 125/250 | Black Back, White Front Body | .385"-1.150" | L14-30P | • | • | • |
| CRL1430P | 30 125/250 | Yellow Back, White Front Body, Corrosion-Resistant | .385"-1.150" | L14-30P | • | • | • |
| L1530P | 30 3ø, 250 | Black Back, White Front Body | .385"-1.150" | L15-30P | • | • | • |
| L1530PBK | 30 3ø, 250 | Black Back, Black Front Body | .385"-1.150" | L15-30P | • | • | • |
| Flanged Inlets & Outlets | | | | | | | |
| L1430FI | 30 125/250 | Gray Inlet | | L14-30P | • | | • |
| L1430FO | 30 125/250 | Gray Outlet | | L14-30R | • | | • |
| L1530FI | 30 3ø, 250 | Gray Inlet | | L15-30P | • | | • |
| L1530FIBK | 30 3ø, 250 | Black Inlet | | L15-30P | • | | • |
| L1530FO | 30 3ø, 250 | Gray Outlet | | L15-30R | • | | • |
| L1530FOBK | 30 3ø, 250 | Black Outlet | | L15-30R | • | | • |

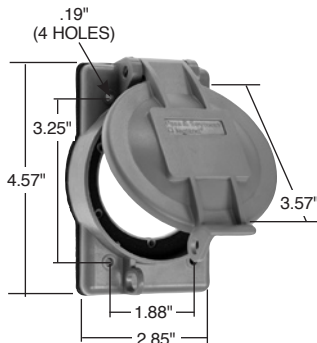
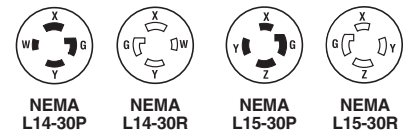
Reference Pages I-37 and I-38 for Accessories.



30A Flanged Inlet & Outlet



| Catalog Number | Description |
|--|--|
| Weatherproof Locking Inlet Kit for Generator Applications | |
| L1430KIT | Kit includes 30A Locking Gray Flanged Inlet L1430FI, Weatherproof Cover WPG2, and Weatherproof Box WPB23 |



WPG2

| Catalog Number | Description | Color |
|-----------------------------------|---|---------|
| Weatherproof Cover | | |
| WPG2 | Cover for 20 and 30A Turnlok Flanged Inlets and Outlets | Gray |
| Stainless Steel Wall Plate | | |
| SS720 | Wall Plate for Locking Receptacles | 302 S/S |