



**Weatherproof  
Electrical  
Products**



## CORPORATE STATEMENT

As Manufacturers of Outdoor Weatherproof Electrical Products, it is BWF/M. Stephens' goal to provide our Customers with quality products at competitive prices - backed by the highest level of commitment and service available in this industry.

We provide a broad range of electrical fittings and weatherproof products to the market, and are committed to total Customer satisfaction by meeting or exceeding expectations for quality, on-time delivery, and friendly, knowledgeable Customer service.

The vision of M. Stephens is to achieve this by being more responsive, more flexible, faster, easier and more profitable to do business with than our competitors. Every element of our on-going business strategies will be aimed at accomplishing this vision.





# Weatherproof Electrical Products

Outlet Boxes

**1**

Covers

**2**

Lampholders and  
Accessories

**3**

Garden Lighting

**4**

Vaportight

**5**

Conduit Bodies

**6**

Service Entrance Heads,  
Electrical Fittings,  
Replacement Parts & Accessories

**7**

For over 50 years, BWF/M. Stephens has been a leader in the die casting industry. With the full line of outdoor weatherproof products, BWF/M. Stephens is committed to offering the high quality and customer service expected from the BWF/M. Stephens name.

## ONE GANG WEATHERPROOF OUTLET BOXES - DIE CAST METAL

### BWF Product Benefits & Features

- Rugged, seamless, die-cast construction that prevents moisture entry
- Reinforced connector outlets provide a secure mechanical installation
- State of the art powder coat finish for maximum durability
- Closure plugs, ground screw and mounting lugs included
- Complete installation instructions included with each product

### Applications

- For use in branch circuit wiring in wet, damp or dry locations
- May be used as a weatherproof junction box, or as a housing for receptacles, switches and GFCI's

### One Gang Outlet Box with 3 Threaded Outlets

4 9/16" x 2 13/16" x 2", closure plugs, ground screw and mounting lugs included

BWF#	Unit UPC 0-87115	Unit Cubic	Description Outlets	Color	Case Qty.	Case Weight
<b>Show Pak</b>						
B-5V	18021-6	18.3"	3-1/2"	Grey	20	11.6
B-5AV	18520-4	18.3"	3-1/2"	Bronze	20	11.6
B-5WV	18720-8	18.3"	3-1/2"	White	20	11.6
B-75V	18031-5	18.3"	3-3/4"	Grey	20	11.4
B-75AV	52886-5	18.3"	3-3/4"	Bronze	20	11.4
B-75WV	52885-8	18.3"	3-3/4"	White	20	11.4
B-100V	27100-6	18.3"	3-1"	Grey	20	11.2
<b>Blister Carded</b>						
1503-1	01503-7	97.3"	3-1/2"	Grey	6	3.9
1503AB-1	18523-5	97.3"	3-1/2"	Bronze	6	3.9
1503W-1	50000-7	97.3"	3-1/2"	White	6	3.9
1753-1	01753-6	97.3"	3-3/4"	Grey	6	3.9
1753AB-1	18533-4	97.3"	3-3/4"	Bronze	6	3.9
1753W-1	50005-2	97.3"	3-3/4"	White	6	3.9



**B-5V**



**DB-5V**

### Deep, One Gang Outlet Box with 3 Threaded Outlets

4 9/16" x 2 13/16" x 2 5/8", closure plugs, ground screw and mounting lugs included

BWF#	Unit UPC 0-87115	Unit Cubic	Description Outlets	Color	Case Qty.	Case Weight
<b>Show Pak</b>						
DB-5V	38006-7	23.8	3-1/2"	Grey	12	10
DB-75V	27105-1	23.8	3-3/4"	Grey	12	10
DB-100V	27108-2	23.8	3-1"	Grey	12	10

### One Gang Outlet Box with 4 Threaded Outlets

4 9/16" x 2 13/16" x 2", closure plugs, ground screw and mounting lugs included

BWF#	Unit UPC 0-87115	Unit Cubic	Description Outlets	Color	Case Qty.	Case Weight
<b>Show Pak</b>						
B5-2V	18041-4	18.3"	4-1/2"	Grey	20	12.1
B5-2AV	27111-2	18.3"	4-1/2"	Bronze	20	12.1
B5-2WV	18044-5	18.3"	4-1/2"	White	20	12.1
B75-2V	18051-3	18.3"	4-3/4"	Grey	20	12.1
B75-2AV	27113-6	18.3"	4-3/4"	Bronze	20	12.1
B75-2WV	27114-3	18.3"	4-3/4"	White	20	12.1
<b>Blister Carded</b>						
1504-1	01504-4	97.3"	4-1/2"	Grey	6	4.0
1504AB-1	18543-3	97.3"	4-1/2"	Bronze	6	4.0
1504W-1	50010-6	97.3"	4-1/2"	White	6	4.0
1754-1	01754-3	97.3"	4-3/4"	Grey	6	4.0



**B5-2V**



## One Gang Outlet Box with 5 Threaded Outlets

4 9/16" x 2 13/16" x 2", closure plugs, ground screw and mounting lugs included

BWF#	Unit UPC 0-87115	Unit Cubic	Description Outlets	Color	Case Qty.	Case Weight
<b>Show Pak</b>						
B5-22V	18061-2	18.3"	5-1/2"	Grey	20	12
B5-22AV	27115-0	18.3"	5-1/2"	Bronze	20	12
B5-22WV	27116-7	18.3"	5-1/2"	White	20	12
B75-22V	18071-1	18.3"	5-3/4"	Grey	20	11.4
B75-22AV	27117-4	18.3"	5-3/4"	Bronze	20	11.4
B75-22WV	27118-1	18.3"	5-3/4"	White	20	11.4
B5-22XV	18081-0	18.3"	5-1/2" X	Grey	20	12
B75-22XV	27121-1	18.3"	5-3/4" X	Grey	20	12
B100-22XV	27124-2	18.3"	5-1" X	Grey	20	12



**B5-22V**

## Deep, One Gang Outlet Box with 5 Threaded Outlets

4 9/16" x 2 13/16" x 2 5/8", closure plugs, ground screw and mounting lugs included

BWF#	Unit UPC 0-87115	Unit Cubic	Description Outlets	Color	Case Qty.	Case Weight
<b>Show Pak</b>						
DB-5-22XV	27127-3	23.8	5-1/2" X	Grey	12	10
DB-75-22XV	27130-3	23.8	5-3/4" X	Grey	12	10
DB-100-22XV	27133-4	23.8	5-1" X	Grey	12	10



**X-Type**

## TWO GANG WEATHERPROOF OUTLET BOXES – DIE CAST METAL

### BWF Product Benefits & Features

- Rugged, seamless, die-cast construction that prevents moisture entry
- Reinforced connector outlets provide a secure mechanical installation
- State of the art powder coat finish for maximum durability
- Closure plugs, ground screw and mounting lugs included
- Complete installation instructions included with each product

### Applications

- For use in branch circuit wiring in wet, damp or dry locations
- May be used as a weatherproof junction box, or as a housing for receptacles, switches and GFCI's

## Two Gang Outlet Box with 3 Threaded Outlets

4 9/16" x 4 5/8" x 2", closure plugs, ground screw and mounting lugs included

BWF#	Unit UPC TYPE0-87115	Unit Cubic	Description Outlets	Color	Case Qty.	Case Weight
<b>Show Pak</b>						
TGB-5V	19000-0	30.5"	3-1/2"	Grey	12	13
TGB-75V	19016-1	30.5"	3-3/4"	Grey	12	13
TGB-100V	27147-1	30.5"	3-1"	Grey	12	13
TGB-100AV	27148-8	30.5"	3-1"	Bronze	12	13
TGB-100WV	27149-5	30.5"	3-1"	White	12	13
<b>Blister Carded</b>						
2503-1	02503-6	117.3"	3-1/2"	Grey	6	8
2503AB-1	19508-1	117.3"	3-1/2"	Bronze	6	8



**DB-5-22XV**



**TGB-5V**



## TWO GANG WEATHERPROOF OUTLET BOXES – DIE CAST METAL



**TGB-54V**



**DTB-5V**



**DTB-75V**



**TGB-56XV**  
**"X" TYPE**



**DTB-75-7XV**

### Two Gang Outlet Box with 4 Threaded Outlets

4-9 / 16" x 4-5 / 8" x 2", closure plugs, ground screw and mounting lugs included

BWF#	Unit UPC 0-87115	Unit Cubic	Outlets	Description	Color	Case Qty.	Case Weight
<b>Show Pak</b>							
TGB-54V	19026-0	30.5"	4-1/2"		Grey	12	13
TGB75-4V	27152-5	30.5"	4-3/4"		Grey	12	13
<b>Blister Carded</b>							
2504-1	02504-3	117.3"	4-1/2"		Grey	6	7
2504AB-1	19527-2	117.3"	4-1/2"		Bronze	6	7
2504W-1	50025-0	117.3"	4-1/2"		White	6	7

### Two Gang Outlet Box with 5 Threaded Outlets

4-9 / 16" x 4-5 / 8" x 2", closure plugs, ground screw and mounting lugs included

BWF#	Unit UPC 0-87115	Unit Cubic	Outlets	Description	Color	Case Qty.	Case Weight
<b>Show Pak</b>							
TGB-55V	19047-5	30.5"	5-1/2"		Grey	12	13
TGB75-5V	19056-7	30.5"	5-3/4"		Grey	12	13
TGB-55XV	27165-5	30.5"	5-1/2" X		Grey	12	13
TGB75-5XV	27168-6	30.5"	5-3/4" X		Grey	12	13
TGB100-5XV	27171-6	30.5"	5-1" X		Grey	12	13

### Deep Two Gang Outlet Box with 5 Threaded Outlets

4-9 / 16" x 4-5 / 8" x 2-5 / 8", closure plugs, ground screw and mounting lugs included

BWF#	Unit UPC 0-87115	Unit Cubic	Outlets	Description	Color	Case Qty.	Case Weight
DTB-5V	38028-9	40.3	5-1/2"		Grey	6	7
DTB-75V	27183-9	40.3	5-3/4"		Grey	6	7
DTB-100V	27186-0	40.3	5-1"		Grey	6	7

### Two Gang Outlet Box with 6 "X" Type Threaded Outlets

4-9 / 16" x 4-5 / 8" x 2", closure plugs, ground screw and mounting lugs included

BWF#	Unit UPC 0-87115	Unit Cubic	Outlets	Description	Color	Case Qty.	Case Weight
<b>Show Pak</b>							
TGB-56XV	27174-7	30.5"	6-1/2" X		Grey	12	13
TGB75-6XV	27177-8	30.5"	6-3/4" X		Grey	12	13

### Two Gang Outlet Box with 7 Threaded Outlets

4-9 / 16" x 4-5 / 8" x 2", closure plugs, ground screw and mounting lugs included

BWF#	Unit UPC 0-87115	Unit Cubic	Outlets	Description	Color	Case Qty.	Case Weight
<b>Show Pak</b>							
TGB-57V	27159-4	30.5	7-1/2"		Grey	12	13
TGB-77V	27162-4	30.5	7-3/4"		Grey	12	13

### Two Gang Outlet Box with 7 "X" Type Threaded Outlets

STD: 4-9 / 16" x 4-5 / 8" x 2",

DEEP: 4-9 / 16" x 4-5 / 8" x 2-5 / 8", closure plugs, ground screw & mounting lugs included

BWF#	Unit UPC 0-87115	Unit Cubic	Outlets	Description	Color	Case Qty.	Case Weight
<b>Show Pak</b>							
TGB-57XV	27178-5	30.5	7-1/2" X		Grey	12	13
TGB-77XV	27179-2	30.5	7-3/4" X		Grey	12	13
DTB75-7XV	27192-1	40.3	7-3/4" X, Deep		Grey	6	7
DTB100-7XV	27195-2	40.3	7-1" X, Deep		Grey	6	7

## ROUND WEATHERPROOF OUTLET BOXES – DIE CAST METAL

### BWF Product Benefits & Features

- Rugged, seamless, die-cast construction that prevents moisture entry
- Reinforced connector outlets provide a secure mechanical installation
- State of the art powder coat finish for maximum durability
- Closure plugs, ground screw and mounting lugs included
- Complete installation instructions included with each product

### Applications

- For use in branch circuit wiring in wet, damp or dry locations
- May be used as a weatherproof junction box, or as a housing for receptacles, switches and GFCI's

### Round Outlet Box with 5 Threaded Outlets

4-9 / 16" x 4-5 / 8" x 2", closure plugs, ground screw and mounting lugs included

BWF#	Unit UPC 0-87115	Unit Cubic	Outlets	Description Color	Case Qty.	Case Weight
<b>Show Pak</b>						
RB-5V	20066-2	16.5	5-1/2"	Grey	16	12
RB-5AV	20565-0	16.5	5-1/2"	Bronze	16	12
RB-5WV	20765-4	16.5	5-1/2"	White	16	12
RB-7V	27200-3 1	6.5	5-3/4"	Grey	16	12
<b>Blister Carded</b>						
3505-1	03505-9	117.3	5-1/2"	Grey	6	5
3505AB-1	20568-1	117.3	5-1/2"	Bronze	6	5
3505W-1	50030-4	117.3	5-1/2"	White	6	5

### Round Outlet Box with 5 Threaded Outlets

4-9 / 16" x 4-5 / 8" x 2", cover, screws, closure plugs, ground screw, gasket & mounting lugs included

BWF#	Unit UPC 0-87115	Unit Cubic	Outlets	Description Color	Case Qty.	Case Weight
<b>Show Pak</b>						
RB-5CGV	27208-9	16.5	5-1/2"	Grey	16	12
RB-7CGV	27211-9	16.5	5-3/4"	Grey	16	12

## EXTENSIONS & EXTENSION ADAPTERS – DIE CAST METAL

### One Gang Box Extension

4-9 / 16" x 2-13 / 16" x 1", gasket & mounting screws included

BWF#	Unit UPC 0-87115	Unit Cubic	Outlets	Description Color	Case Qty.	Case Weight
<b>Show Pak</b>						
EXR-1V	35007-7	10	1"	Grey	24	7
EXR-1WV	27137-2	10	1"	White	24	7
<b>Blister Carded</b>						
10XR-1	01013-1	65	1"	Grey	6	2
10XRAB-1	35503-4	65	1"	Bronze	6	2
10XRW-1	50165-3	65	1"	White	6	2

### One Gang Box Extension Adapter – Flanged

5-1 / 4" x 3-1 / 2" x 1-1 / 2", closure plugs, mounting screws & gasket included

BWF#	Unit UPC 0-87115	Unit Cubic	Outlets	Description Color	Case Qty.	Case Weight
<b>Show Pak</b>						
EXF5-2V	35011-4	13.3	4-1/2"	Grey	12	7
EXF75-2V	27140-2	13.3	4-3/4"	Grey	12	8
EXF75-2WV	21742-6	13.3	4-3/4"	White	12	8
<b>Blister Carded</b>						
10XF-1	01011-7	76	4-1/2"	Grey	6	4
10XFAB-1	35513-3	76	4-1/2"	Bronze	6	4
10XFW-1	50170-7	76	4-1/2"	White	6	4



**RB-5V**



**RB-5CGV**



**EXR-1V**



**EXF5-2V**



**EXR-2V**

## EXTENSIONS & EXTENSION ADAPTERS – DIE CAST METAL

### Two Gang Outlet Box Extension

4-9 / 16" x 4-5 / 8" x 1", gasket & mounting screws included

BWF#	Unit UPC 0-87115	Unit Cubic	Outlets	Description	Color	Case Qty.	Case Weight
<b>Show Pak</b>							
EXR-2V	35008-4	16.3	1"		Grey	12	4
EXR-2AV	27198-3	16.3	1"		Bronze	12	4



**EX5-V**

### Round Outlet Box Extension with 4 Threaded Outlets

4-9 / 16" x 4-5 / 8" x 2", closure plugs, mounting screws & gasket included

BWF#	Unit UPC 0-87115	Unit Cubic	Outlets	Description	Color	Case Qty.	Case Weight
<b>Show Pak</b>							
EX-5V	35030-5	18.3	4-1/2"		Grey	18	10
EX-7V	27205-8	18.3	4-3/4"		Grey	18	10

## SWIMMING POOL JUNCTION BOXES – METAL/PLASTIC

### Swimming Pool Junction Boxes with 3 Threaded Outlets

4-9 / 16" x 4-5 / 8" x 2", gasket included



**PB-50**

BWF#	Unit UPC 0-87115	Unit Cubic	Outlets	Description	Color	Case Qty.	Case Weight
<b>Boxed</b>							
PB-50	26005-5	22	3-1/2"		Brass	10	15
PB-75	34010-8	22	3-3/4"		Brass	10	15
PB-100	34015-3	22	2-3/4"/1-1"		Brass	10	15

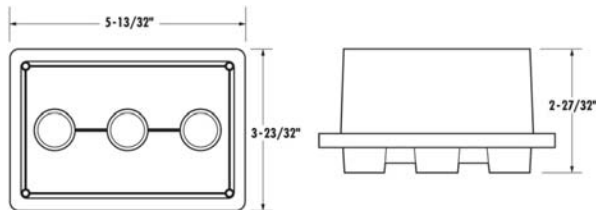
For use with installation of underwater pool lights.

For connecting to 120V or low voltage below normal water level of the pool.

Complies with the latest NEC, UL and CSA standards. Solid brass wiring platform with grounding post and 3 ground terminals - use with metallic or PVC conduit.

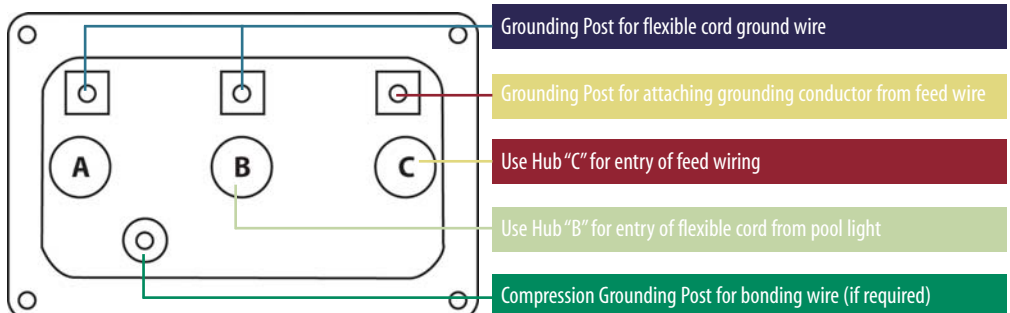
**NOTE:** To achieve watertight installation, reference is made to the 1999 National Electrical Code (NEC) Article 680-20(b)(2) which states "The end of the flexible-cord jacket and the flexible-cord conductor terminations within a fixture shall be covered with, or encapsulated in, a suitable potting compound to prevent the entry of water into the fixture through the cord or its conductors. In addition, the grounding connection within a fixture shall be similarly treated to protect such connection from the deteriorating effect of pool water in the event of water entry into the fixture." Article 680-21 Exception (a), which states "An approved potting compound is used to fill the box to prevent the entrance of moisture."

### OUTSIDE DIMENSIONS



NPF Conduit Hub			
BWF#	A	B	C
PB-50	1/2"	1/2"	1/2"
PB-75	3/4"	3/4"	3/4"
PB-100	3/4"	1"	3/4"

### OUTSIDE DIMENSIONS

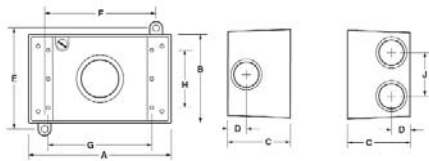




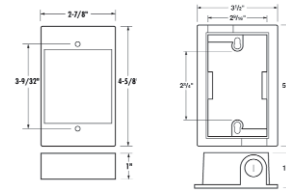
## ONE GANG BOX & EXTENSION DRAWINGS

### Single Gang Boxes – Standard & Deep Dimensions and Cubic Inches

BWF#	Hub Size	A	B	C	D	E	F	G	H	J	Cubic Inches
B-5V	1/2"	4-9/16"	2-13/16"	2"	5/8"	3-3/16"	3-1/2"	3-1/4"	1-7/8"	–	18.3"
B-75V	3/4"	4-9/16"	2-13/16"	2"	5/8"	3-3/16"	3-1/2"	3-1/4"	1-7/8"	–	18.3"
B-100V	1"	4-9/16"	2-13/16"	2"	5/8"	3-3/16"	3-1/2"	3-1/4"	1-7/8"	–	18.3"
DB-5V	1/2"	4-9/16"	2-13/16"	2-5/8"	3/4"	3-3/16"	3-1/2"	3-1/4"	1-7/8"	–	23.8"
DB-75V	3/4"	4-9/16"	2-13/16"	2-5/8"	3/4"	3-3/16"	3-1/2"	3-1/4"	1-7/8"	–	23.8"
DB-100V	1"	4-9/16"	2-13/16"	2-5/8"	3/4"	3-3/16"	3-1/2"	3-1/4"	1-7/8"	–	23.8"
B5-2V	1/2"	4-9/16"	2-13/16"	2"	5/8"	3-3/16"	3-1/2"	3-1/4"	1-7/8"	1-1/2"	18.3"
B75-2V	3/4"	4-9/16"	2-13/16"	2"	5/8"	3-3/16"	3-1/2"	3-1/4"	1-7/8"	1-1/2"	18.3"
B5-22V	1/2"	4-9/16"	2-13/16"	2"	5/8"	3-3/16"	3-1/2"	3-1/4"	1-7/8"	1-1/2"	18.3"
B75-22V	3/4"	4-9/16"	2-13/16"	2"	5/8"	3-3/16"	3-1/2"	3-1/4"	1-7/8"	1-1/2"	18.3"
B5-22XV	1/2"	4-9/16"	2-13/16"	2"	5/8"	3-3/16"	3-1/2"	3-1/4"	1-7/8"	–	18.3"
B75-22XV	3/4"	4-9/16"	2-13/16"	2"	5/8"	3-3/16"	3-1/2"	3-1/4"	1-7/8"	–	18.3"
B100-22XV	1"	4-9/16"	2-13/16"	2"	5/8"	3-3/16"	3-1/2"	3-1/4"	1-7/8"	–	18.3"
DB-5-22XV	1/2"	4-9/16"	2-13/16"	2-5/8"	3/4"	3-3/16"	3-1/2"	3-1/4"	1-7/8"	–	23.8"
DB-75-22XV	3/4"	4-9/16"	2-13/16"	2-5/8"	3/4"	3-3/16"	3-1/2"	3-1/4"	1-7/8"	–	23.8"
DB-100-22XV	1"	4-9/16"	2-13/16"	2-5/8"	3/4"	3-3/16"	3-1/2"	3-1/4"	1-7/8"	–	23.8"



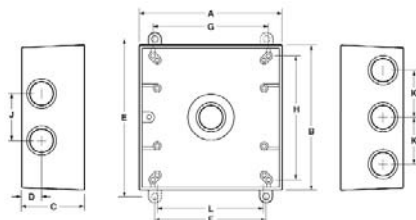
Extensions and Extension Adapters are used to provide additional capacity needed for NEC box fill requirements. Adapters allow installer to add "take-offs" to new boxes and/or devices.



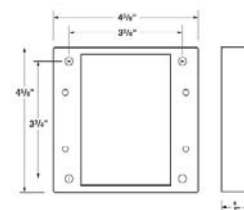
## TWO GANG BOX & EXTENSION DRAWINGS

### Two Gang Boxes – Standard & Deep Dimensions and Cubic Inches

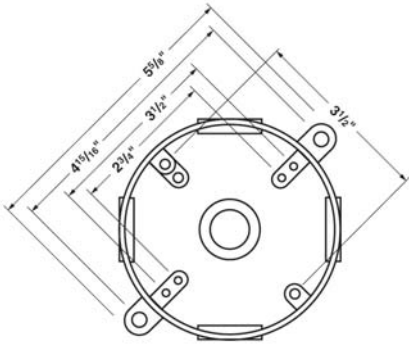
BWF#	Hub Size	A	B	C	D	E	F	G	H	J	K	L	Cubic Inches
TGB-5V	1/2"	4-9/16"	4-5/8"	2"	5/8"	5"	3-7/8"	3-11/16"	3-3/4"	–	–	3-1/4"	30.5"
TGB-75V	3/4"	4-9/16"	4-5/8"	2"	5/8"	5"	3-7/8"	3-11/16"	3-3/4"	–	–	3-1/4"	30.5"
TGB-100V	1"	4-9/16"	4-5/8"	2"	5/8"	5"	3-7/8"	3-11/16"	3-3/4"	–	–	3-1/4"	30.5"
TGB-54V	1/2"	4-9/16"	4-5/8"	2"	5/8"	5"	3-7/8"	3-11/16"	3-3/4"	1-1/2"	–	3-1/4"	30.5"
TGB75-4V	3/4"	4-9/16"	4-5/8"	2"	5/8"	5"	3-7/8"	3-11/16"	3-3/4"	1-1/2"	–	3-1/4"	30.5"
TGB-55V	1/2"	4-9/16"	4-5/8"	2"	5/8"	5"	3-7/8"	3-11/16"	3-3/4"	1-1/2"	–	3-1/4"	30.5"
TGB75-5V	3/4"	4-9/16"	4-5/8"	2"	5/8"	5"	3-7/8"	3-11/16"	3-3/4"	1-1/2"	–	3-1/4"	30.5"
TGB-55XV	1/2"	4-9/16"	4-5/8"	2"	5/8"	5"	3-7/8"	3-11/16"	3-3/4"	–	–	3-1/4"	30.5"
TGB75-5XV	3/4"	4-9/16"	4-5/8"	2"	5/8"	5"	3-7/8"	3-11/16"	3-3/4"	–	–	3-1/4"	30.5"
TGB100-5XV	1"	4-9/16"	4-5/8"	2"	5/8"	5"	3-7/8"	3-11/16"	3-3/4"	–	–	3-1/4"	30.5"
DTB-5V	1/2"	4-9/16"	4-5/8"	2-5/8"	3/4"	5"	3-7/8"	3-11/16"	3-3/4"	1-1/2"	–	3-1/4"	40.3"
DTB-75V	3/4"	4-9/16"	4-5/8"	2-5/8"	3/4"	5"	3-7/8"	3-11/16"	3-3/4"	1-1/2"	–	3-1/4"	40.3"
DTB-100V	1"	4-9/16"	4-5/8"	2-5/8"	3/4"	5"	3-7/8"	3-11/16"	3-3/4"	1-1/2"	–	3-1/4"	40.3"
TGB-56XV	1/2"	4-9/16"	4-5/8"	2"	5"	3-7/8"	3-11/16"	3-3/4"	1-1/2"	–	3-1/4"	30.5"	
TGB75-6XV	3/4"	4-9/16"	4-5/8"	2"	5"	3-7/8"	3-11/16"	3-3/4"	1-1/2"	–	3-1/4"	30.5"	
TGB-57V	1/2"	4-9/16"	4-5/8"	2"	5"	3-7/8"	3-11/16"	3-3/4"	–	1-1/2"	3-1/4"	40.3"	
TGB-77V	3/4"	4-9/16"	4-5/8"	2"	5"	3-7/8"	3-11/16"	3-3/4"	–	1-1/2"	3-1/4"	30.5"	
DTB-57XV	1/2"	4-9/16"	4-5/8"	2-5/8"	3/4"	5"	3-7/8"	3-11/16"	3-3/4"	1-1/2"	–	3-1/4"	40.3"
DTB75-7XV	3/4"	4-9/16"	4-5/8"	2-5/8"	3/4"	5"	3-7/8"	3-11/16"	3-3/4"	1-1/2"	–	3-1/4"	40.3"
DTB100-7XV	1"	4-9/16"	4-5/8"	2-5/8"	3/4"	5"	3-7/8"	3-11/16"	3-3/4"	1-1/2"	–	3-1/4"	40.3"



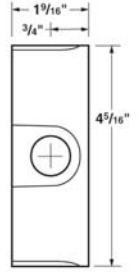
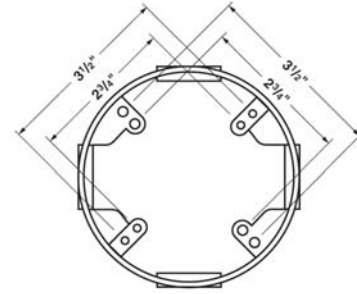
Extensions and Extension Adapters are used to provide additional capacity needed for NEC box fill requirements. Adapters allow installer to add "take-offs" to new boxes and/or devices.



## ROUND BOX & EXTENSION DRAWINGS



Extensions and Extension Adapters are used to provide additional capacity needed for NEC box fill requirements. Adapters allow installer to add "take-offs" to new boxes and/or devices.



## ONE GANG WEATHERPROOF BLANK COVERS – STAMPED STEEL

### BWF Product Benefits & Features

- Rugged, seamless construction that prevents moisture entry
- State of the art powder coat finish for maximum durability
- Includes installation hardware, gasket and instructions

### Steel One Gang Blank Cover

4 9/16" x 2 13/16", stamped steel cover, gasket & screws included



**BC-1V**

BWF#	Unit UPC 0-87115	Unit Cubic	Outlets	Description	Color	Case Qty.	Case Weight
<b>Show Pak</b>							
BC-1V	29005-2	N/A	Blank	Blank	Grey	42	4
BC-1AV	29505-7	N/A	Blank	Blank	Bronze	42	4
BC-1WV	29705-1	N/A	Blank	Blank	White	42	4
<b>Blister Carded</b>							
711-1	00711-7	17.2	Blank	Blank	Grey	12	2
711AB-1	29509-5	17.2	Blank	Blank	Bronze	12	2
711W-1	50105-9	17.2	Blank	Blank	White	12	2

### Steel One Gang Blank Cover, "X" Type

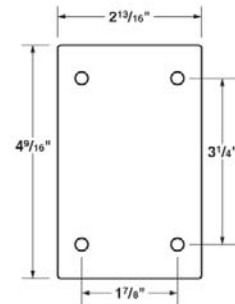
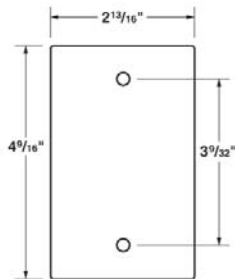
4 9/16" x 2 13/16", stamped steel cover, gasket & screws included



**BC-1XV**



BWF#	Unit UPC 0-87115	Unit Cubic	Outlets	Description	Color	Case Qty.	Case Weight
<b>Show Pak</b>							
BC-1XV	27231-7	N/A	Blank X	Blank X	Grey	42	5



## WEATHERPROOF "WHILE-IN-USE" RECEPTACLE COVERS

### BWF PRODUCT BENEFITS & FEATURES

- Choose from high-impact polycarbonate construction or heavy duty die cast covers for more severe applications, such as schools and commercial buildings
- Both meet NEC Article 410-57(b). The code requires receptacles be protected in outdoor or other wet locations with the cord set plugged in, unless the receptacle is attended.
- All covers are shipped with gasket, mounting screws, base and cover assembly, two inserts and complete "easy-to-install" instructions.
- Covers may be mounted to a box or device.
- When security is important, there are covers available with a lockable hasp.
- Flexibility in the field: covers combined with one of the 26 rotating, snap-in, inserts will meet any installation requirement.

### COMPLIANCES

- UL Listed - CSA Certified
- NEMA 3R rated



### APPLICATIONS

- Where weatherproof protection is required while an outlet is in use, such as; bug zappers, holiday lighting, low voltage lighting, soda machines, portable spas, engine block heater, irrigation pond pumps, etc.



MEETS 2002 NEC 406.8(B) (1) Receptacles installed outdoors in a wet location must have an enclosure that is weatherproof when you insert the attachment plug.



### HIGH IMPACT CLEAR POLYCARBONATE "WHILE-IN-USE" COVERS

gasket, mounting screws, base & cover assembly, 2 inserts included

PACKAGE TYPE	BWF No.	Unit UPC 0-87115	Description	Depth	Color	Case QTY	Case WT
SHOW PAK	WT1100C*	00100-9	1 gang vertical/horizontal	2 1/4"	Clear	5	3
	WT1100WC*	31175-7	1 gang horizontal/vertical	2 1/4"	Clear	5	3
	WT1150C	00101-6	1 gang vertical/horizontal	4 3/4"	Clear	5	4.25
	WT1220C*	00200-6	2 gang	2 1/4"	Clear	5	8
	WT202V*	00201-3	2 gang	3 1/8"	Clear	5	8

\*With lockable hasp



### HEAVY DUTY DIE CAST METAL "WHILE-IN-USE" COVERS

gasket, mounting screws, base & cover assembly, 2 inserts included

PACKAGE TYPE	BWF No.	Unit UPC 0-87115	Description	Depth	Color	Case QTY	Case WT
SHOW PAK	WT1010HMC*	34018-4	1 gang horizontal	3 1/8"	Grey	4	5
	WT100VMV*	34017-7	1 gang vertical	3 1/8"	Grey	4	5
	WT1030MC*	34019-1	2 gang	3 1/8"	Grey	2	3.5

\*With lockable hasp

## ONE GANG WEATHERPROOF RAISED COVERS – DIE CAST METAL



**RC-1V**

### One Gang Rectangular Lampholder Cover – One 1/2" Hole

4 9/16" x 2 13/16" x 1 1/16", gasket & screws included

BWF#	Unit UPC 0-87115	Unit Cubic	Description Outlets	Color	Case Qty.	Case Weight
<b>Show Pak</b>						
RC-1V	28036-7	N/A	1–1/2"	Grey	20	6
RC-1AV	52880-3	N/A	1–1/2"	Bronze	20	6
RC-1WV	52879-7	N/A	1–1/2"	White	20	6
<b>Blister Carded</b>						
811-1	00811-4	51.6	1–1/2"	Grey	12	5
811AB-1	28542-3	51.6	1–1/2"	Bronze	12	5
811W -1	50095-3	51.6	1–1/2"	White	12	5

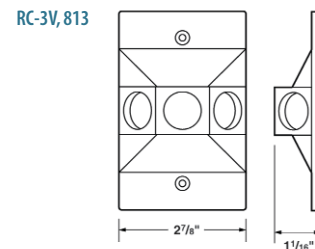
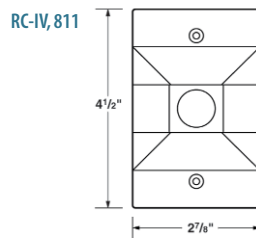


**RC-3V**

### One Gang Rectangular Lampholder Cover – Three 1/2" Holes

4 9/16" x 2 13/16" x 1 1/16", gasket, screws and closure plugs included

BWF#	Unit UPC 0-87115	Unit Cubic	Description Outlets	Color	Case Qty.	Case Weight
<b>Show Pak</b>						
RC-3V	28056-5	N/A	3–1/2"	Grey	20	6
RC-3AV	28555-3	N/A	3–1/2"	Bronze	20	6
RC-3WV	28755-7	N/A	3–1/2"	White	20	6
<b>Blister Carded</b>						
813-1	00813-8	51.6	3–1/2"	Grey	12	4
813AB-1	28566-9	51.6	3–1/2"	Bronze	12	4
813W -1	50100-4	51.6	3–1/2"	White	12	4



**FG-1DCV  
CLOSED**



**OPEN**

### One Gang Cover for Horizontal GFCI Devices

Self closing cover, gasket & screws included

BWF#	Unit UPC 0-87115	Unit Cubic	Description Outlets	Color	Case Qty.	Case Weight
<b>Show Pak</b>						
FG-1DCV	25006-3	N/A	Horiz GFCI	Grey	24	12
FG-1DCAV	25505-1	N/A	Horiz GFCI	Bronze	24	12
FG-1DCWV	25705-5	N/A	Horiz GFCI	White	24	2
<b>Blister Carded</b>						
511H-1	05114-1	43	Horiz GFCI	Grey	6	3
511HAB-1	25508-2	43	Horiz GFCI	Bronze	6	3
511HW-1	50065-6	43	Horiz GFCI	White	6	3

## ONE GANG WEATHERPROOF COVERS – DIE CAST METAL

### Horizontal GFCI Kit Includes:

Rectangular 3-hole box, self closing GFCI cover, GFCI receptacle, hardware & instructions

BWF#	Unit UPC 0-87115	Unit Cubic	Outlets	Description	Color	Case Qty.	Case Weight
<b>Clamshell Kit</b>							
GFBK-C-1	41201-0	149	Horiz GFCI Kit	Grey	10	18	
GFBKAB-C-1	41202-7	149	Horiz GFCI Kit	Bronze	10	18	
GFBKW-C-1	41203-4	149	Horiz GFCI Kit	White	10	18	
GFBKB-C-1	41204-1	149	Horiz GFCI Kit	Black	10	18	
<b>Display Box Kit</b>							
GFBK	41200-3	130	Horiz GFCI Kit	Grey	10	17	
GFBKAB	41205-8	130	Horiz GFCI Kit	Bronze	10	17	
GFBKW	50220-9	130	Horiz GFCI Kit	White	10	17	
GFBKB	50221-6	130	Horiz GFCI Kit	Black	10	17	



**GFBK-C**

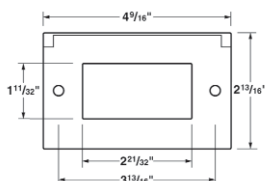
### One Gang Cover for Vertical GFCI Devices

Self closing cover, gasket & screws included

BWF#	Unit UPC 0-87115	Unit Cubic	Outlets	Description	Color	Case Qty.	Case Weight
<b>Show Pak</b>							
FGV-1DCV	25012-4	N/A	Vertical GFCI	Grey	24	12	
FGV-1DCAV	25510-5	N/A	Vertical GFCI	Bronze	24	12	
FGV-1DCWV	25710-9	N/A	Vertical GFCI	White	24	12	
<b>Blister Carded</b>							
511V-1	05115-8	43	Vertical GFCI	Grey	6	3	
511VAB-1	25513-6	43	Vertical GFCI	Bronze	6	3	
511VW-1	50070-0	43	Vertical GFCI	White	6	3	



**FGV-1DC**



GFCI: Ground Fault Circuit Interrupter or “Shock Protection” outlet stops the flow of electricity at the outlet. Required by the National Electrical Code (NEC) for wet or damp locations, inside or out.

### One Gang Vertical Cover for Duplex Receptacles, Switches or Combination Devices

Self closing cover, gasket & screws included

BWF#	Unit UPC 0-87115	Unit Cubic	Outlets	Description	Color	Case Qty.	Case Weight
<b>Show Pak</b>							
FC-61V	22095-0	N/A	Vertical	Grey	24	8	
FC-61AV	52884-1	N/A	Vertical	Bronze	24	8	
FC-61WV	52883-4	N/A	Vertical	White	24	8	



**FC-61V**

## ONE GANG WEATHERPROOF COVERS – DIE CAST METAL



**FC-71V**



**FCL-71V**

### One Gang Vertical Cover for a Single Receptacle or Switch

Self closing cover, gasket & screws included

BWF#	Unit UPC 0-87115	Unit Cubic	Outlets	Description Color	Case Qty.	Case Weight
<b>Show Pak</b>						
FC-71V	23007-2	N/A	Vertical	Grey	24	8
FC-71AV	27240-9	N/A	Vertical	Bronze	24	8
FC-71WV	27241-6	N/A	Vertical	White	24	8
FCL-71V (Locking)	27255-3	N/A	Vertical	Grey	24	8
SO-71V	27246-1	N/A	Vert Stay Open	Grey	24	8
<b>Blister Carded</b>						
4171 -1	04171-5	51.6	Vertical	Grey	6	2
4171AB -1	23508-4	51.6	Vertical	Bronze	6	2
4171W 5-1	0040-3	51.6	Vertical	White	6	2

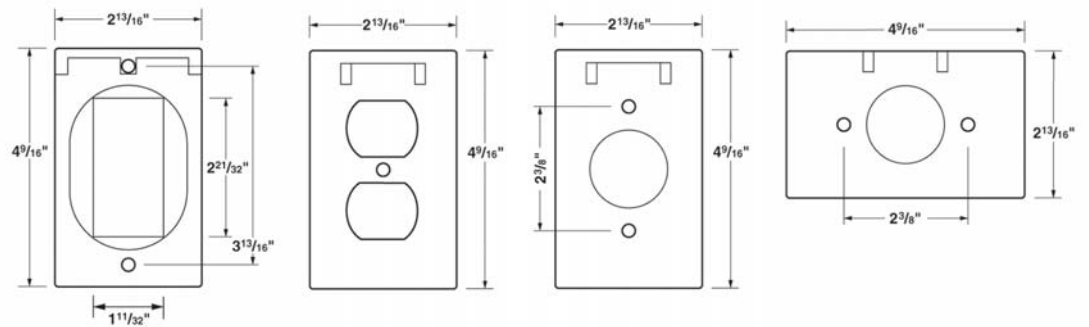
### One Gang Horizontal Cover for a Single Receptacle or Switch

Self closing cover, gasket & screws included



**FC-71HV**

BWF#	Unit UPC 0-87115	Unit Cubic	Outlets	Description Color	Case Qty.	Case Weight
<b>Show Pak</b>						
FC-71HV	27242-3	N/A	Horizontal	Grey	24	8
FC-71HAV	27243-0	N/A	Horizontal	Bronze	24	8
FC-71HWV	27244-7	N/A	Horizontal	White	24	8



**One Gang Horizontal Cover for a Duplex Receptacle or Switch**

Self closing cover, gasket & screws included

BWF#	Unit UPC 0-87115	Unit Cubic	Outlets	Description	Color	Case Qty.	Case Weight
<b>Show Pak</b>							
FC-81V	23015-7	N/A	Horizontal		Grey	24	10
FC-81AV	23510-7	N/A	Horizontal		Bronze	24	10
FC-81WV	23710-1	N/A	Horizontal		White	24	10
SO-81V	27249-2	N/A	Horiz Stay Open		Grey	24	9
SO-81AV	27250-8	N/A	Horiz Stay Open		Bronze	24	9
SO-81WV	27251-5	N/A	Horiz Stay Open		White	24	9
<b>Blister Carded</b>							
4181-1	04181-4	51.6	Horizontal		Grey	12	5
4181AB-1	23521-3	51.6	Horizontal		Bronze	12	5
4181W-1	50045-8	51.6	Horizontal		White	12	5



**FC-81V**

**One Gang Horizontal Cover for a Duplex Receptacle**

Self closing cover, receptacle, gasket & screws included

BWF#	Unit UPC 0-87115	Unit Cubic	Outlets	Description	Color	Case Qty.	Case Weight
<b>Show Pak</b>							
FC-81RV	23019-5	N/A	w/Receptacle		Grey	18	12
FC-81RAV	27245-4	N/A	w/Receptacle		Bronze	18	12
FC-81RWV	23018-8	N/A	w/Receptacle		White	18	12
<b>Blister Carded</b>							
4181R-1	41813-5	45	w/Receptacle		Grey	6	4
4181RAB-1	23526-8	45	w/Receptacle		Bronze	6	4
4181RW-1	50050-2	45	w/Receptacle		White	6	4



**FC-81RV**

**Double Outlet Kit Includes:**

Rectangular 3 hole box, self closing duplex cover, duplex receptacle, hardware & instructions

BWF#	Unit UPC 0-87115	Unit Cubic	Cover	Description	Color	Case Qty.	Case Weight
<b>Clamshell Kit</b>							
B81RK-C-1	08137-7	149	Duplex Kit		Grey	10	14
B81RKAB-C-1	08138-4	149	Duplex Kit		Bronze	10	14
B81RKW-C-1	08139-1	149	Duplex Kit		White	10	14
B81RKB-C-1	08140-7	149	Duplex Kit		Black	10	14
<b>Display Box Kit</b>							
B81RK	08130-8	130	Duplex Kit		Grey	10	14
B81RKAB	08136-0	130	Duplex Kit		Bronze	10	14
B81RKW	50210-0	130	Duplex Kit		White	10	14
B81RKB	08135-3	130	Duplex Kit		Black	10	14



**B81RK-C**

## ONE GANG WEATHERPROOF COVERS – DIE CAST METAL

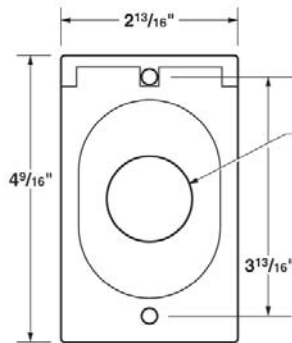
### One Gang Power Outlet Cover for Single Receptacle; 20A, 30A, 50A

Self closing cover, gasket & screws included



**PO-50V**

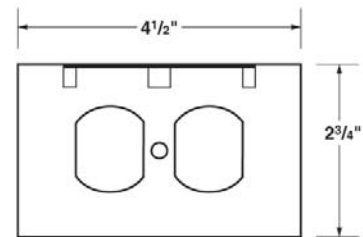
BWF#	Unit UPC 0-87115	Unit Cubic	Opening	Description Color	Case Qty.	Case Weight
<b>Show Pak</b>						
PO-50V	26006-2	20A-50A	2.125"	Grey	24	15
PO-17V	27269-0	30A	1.750"	Grey 2	4	15
PO-16V	27272-0	20A & 30A	1.625"	Grey	24	15
PO-14V	27275-1	STD	1.438"	Grey	24	15



**Power Outlet Covers**

- PO-50V=2.125"D
- PO-17V=1.750"D
- PO-16V=1.625"D
- PO-14V=1.485"D

**Dimensional cover drawing for:  
FC-81V, S0-81V, 4181, FC-81RV,  
4181R, BB1RK-C, BB1RK**



## ONE GANG WEATHERPROOF TOGGLE SWITCH COVERS – DIE CAST METAL

### One Gang Toggle Switch Cover for One 10A or 20A Switch

Gasket & screws included



**TS-1V**

**FVC-261V**

Left & Right Lids Lock

BWF#	Unit UPC 0-87115	Unit Cubic	Switch	Description Color	Case Qty.	Case Weight
<b>Show Pak</b>						
TS-1V	27281-2	N/A	N/A	Grey	20	5



## ONE GANG WEATHERPROOF TOGGLE SWITCH COVERS - DIE CAST METAL

### One Gang Toggle Switch Cover with Switch

Gasket & screws included

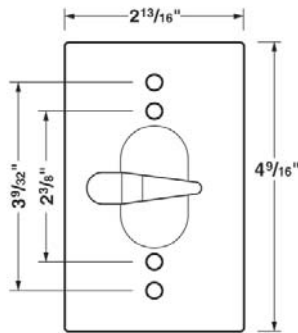
BWF#	Unit UPC 0-87115	Unit Cubic	Switch	Description Color	Case Qty.	Case Weight
<b>Show Pak</b>						
TS-11V	27012-2	N/A	15A/single pole	Grey	18	10
TS-11AV	27284-3	N/A	15A/single pole	Bronze	18	10
TS-11WV	27011-5	N/A	15A/single pole	White	18	10
TS-13V	27016-0	N/A	15A/3 way	Grey	18	10
TS-15V	27287-4	N/A	20A/single pole	Grey 18		10
TS-15AV	27288-1	N/A	20A/single pole	Bronze	18	10
TS-15WV	27289-8	N/A	20A/single pole	White	18	10
<b>Blister Carded</b>						
611-1	00611-0	108	15A/single pole	Grey	6	2
611AB-1	27512-7	108	15A/single pole	Bronze	6	2
611W-1	50075-5	108	15A/single pole	White	6	2
613-1	00613-4	108	15A/3 way	Grey	6	3
613AB-1	50081-6	108	15A/3 way	Bronze	6	3
613W-1	50080-9	108	15A/3 way	White	6	3



**TS-11V**



- All BWF switch covers are made of rugged, die cast metal construction.
- For use when weatherproof protection is required for an "on-off" type switch.



**Dimensional cover drawing for:  
TS-1V, TS-11V, TS-13V, TS-15V, 611, 613**

## TWO GANG WEATHERPROOF COVERS - STAMPED STEEL

### Two Gang Blank Cover

Stamped steel cover, gasket & screws included

BWF#	Unit UPC 0-87115	Unit Cubic	Cover	Description Color	Case Qty.	Case Weight
<b>Show Pak</b>						
BC-2V	29010-6	N/A	Blank	Grey	24	3
BC-2AV	27290-4	N/A	Blank	Bronze	24	3
BC-2WV	27291-1	N/A	Blank	White	24	3
<b>Blister Carded</b>						
722-1	00722-3	54	Blank	Grey	12	2
722AB-1	29516-3	54	Blank	Bronze	12	2
722W-1	50110-3	54	Blank	White	12	2



**BC-2V**

### Two Gang Cover for 1 GFCI Receptacle & 1 Single Switch or Receptacle

Die cast self closing cover, gasket & screws included

BWF#	Unit UPC 0-87115	Unit Cubic	Cover	Description Color	Case Qty.	Case Weight
<b>Show Pak</b>						
FGV-291V	27292-8	N/A	Two Gang	Grey	18	9



**FGV-291V**



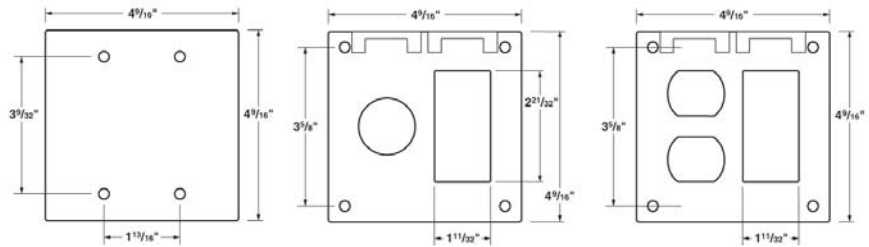
**FGV-261V**

## TWO GANG WEATHERPROOF COVERS – DIE CAST METAL

### Two Gang Cover for 1 GFCI Receptacle & 1 Duplex Receptacle, Switch or Combination Device

Die cast self closing cover, gasket & screws included

BWF#	Unit UPC 0-87115	Unit Cubic	Cover	Description	Color	Case Qty.	Case Weight
<b>Show Pak</b>							
FGV-261V	27295-9	N/A	Two Gang	Grey	18	9	
FGV-261AV	27296-6	N/A	Two Gang	Bronze 1	8	9	



**FGV-2DCV**

### Two Gang Cover for 2 GFCI Receptacles

Self closing cover, gasket & screws included

BWF#	Unit UPC 0-87115	Unit Cubic	Cover	Description	Color	Case Qty.	Case Weight
<b>Show Pak</b>							
FGV-2DCV	25031-5	N/A	Two Gang	Grey	18	9	



**FGV-TS1V**

### Two Gang Cover for 1 GFCI Receptacle & 1 10A/20A Switch

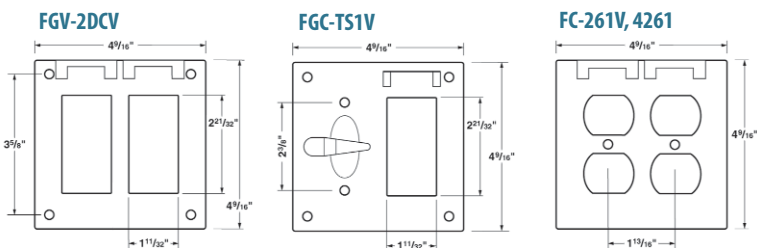
Self closing, gasket & screws included

BWF#	Unit UPC 0-87115	Unit Cubic	Cover	Description	Color	Case Qty.	Case Weight
<b>Show Pak</b>							
FGV-TS1V	25040-7	N/A	Two Gang	Grey	18	9	

### Two Gang Cover for 2 Duplex Receptacles, Switches or Combination Devices

Self closing cover, gasket & screws included

BWF#	Unit UPC 0-87115	Unit Cubic	Cover	Description	Color	Case Qty.	Case Weight
<b>Show Pak</b>							
FC-261V	24011-8	N/A	Two Gang	Grey	18	10	
FC-261AV	27303-1	N/A	Two Gang	Bronze	18	10	
<b>Blister Carded</b>							
4261-1	04261-3	65	Two Gang	Grey	6	4	
4261AB-1	24512-0	65	Two Gang	Bronze	6	4	
4261W-1	50060-1	65	Two Gang	White	6	4	



## TWO GANG WEATHERPROOF COVERS – DIE CAST METAL

### Universal Duplex Cover, Fits 1 Gang, 2 Gang & Round Boxes

Gasket & screws included

BWF#	Unit UPC 0-87115	Unit Cubic	Cover Description	Color	Case Qty.	Case Weight
<b>Show Pak</b>						
FC-271V	27305-5	N/A	Universal	Grey	18	10



**FC-271V**

### Two Gang Cover for 2 Single Receptacles and/or Switches

gasket & screws included

BWF#	Unit UPC 0-87115	Unit Cubic	Cover Description	Color	Case Qty.	Case Weight
<b>Show Pak</b>						
FC-281V	24000-2	N/A	Two Gang	Grey	18	10
<b>Blister Carded</b>						
4281 -1	04281-1	65	Two Gang	Grey	6	4
4281AB-1	24502-1	65	Two Gang	Bronze	6	4
4281W-1	50055-7	65	Two Gang	White	6	4



**FC-281V**

Left & Right Lids Lock

### Two Gang Cover for 1 Single Receptacle or Switch & 1 Duplex Receptacle, Switch or Combination Device

Gasket & screws included

BWF#	Unit UPC 0-87115	Unit Cubic	Cover Description	Color	Case Qty.	Case Weight
<b>Show Pak</b>						
FC-291V	24716-2	N/A	Two Gang	Grey	18	11

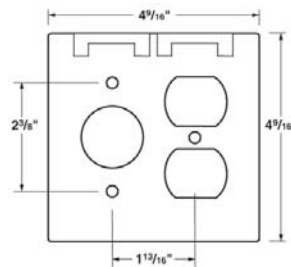
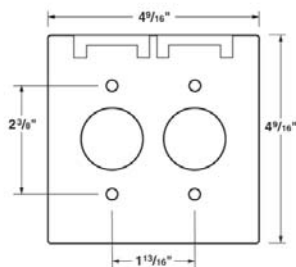
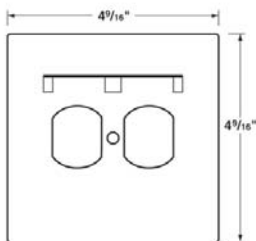
FC-281V, 4281

FC-291B



**FC-291V**

**FC-271V**



## TWO GANG WEATHERPROOF COVERS – DIE CAST METAL

### Two Gang Power Outlet Cover for Single Receptacle; 20A, 30A, 50A, 60A

Die cast self closing cover, gasket & screws included



**TPO-50V**

BWF#	Unit UPC 0-87115	Unit Cubic	Opening	Description Color	Case Qty.	Case Weight
<b>Show Pak</b>						
TPO-50V	26740-5	20A-50A	2.125"	Grey	24	9
TPOL-50V (Locking)	27321-5	20A-50A	2.125"	Grey	24	9
TPO-60V	27324-6	30A-60A	2.64"	Grey	24	9
TPOL-60V (Locking)	27327-7	30A-60A	2.64"	Grey	24	9
TPO-17V	27330-7	30A	1.75"	Grey	24	9



**TS-2V**

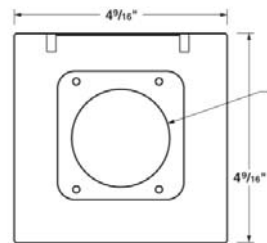
### Two Gang Toggle Switch Cover for 2 15A-20A Switches

Stamped aluminum cover, gasket & screws included

BWF#	Unit UPC 0-87115	Unit Cubic	Opening	Description Color	Case Qty.	Case Weight
<b>Show Pak</b>						
TS-2V	27040-5	N/A	N/A	Grey	24	11

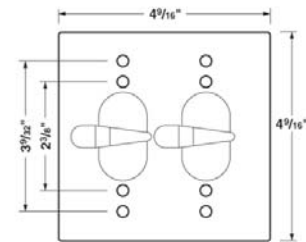


**TS-21V**



#### Power Outlet Covers:

- TPO-50V = 2.125"D
- TPOL-50V = 2.125"D
- TPO-60V = 2.64"D
- TPOL-60V = 2.64"D
- TPO-17V = 1.75"D



**TS-2V**

### Two Gang Toggle Switch Cover with 2 Switches

Stamped aluminum cover, gasket & screws included

BWF#	Unit UPC 0-87115	Unit Cubic	Switch	Description Color	Case Qty.	Case Weight
<b>Show Pak</b>						
TS-21V	27040-5	N/A	(2)15A Single Pole	Grey	18	16
TS-25V	27345-1	N/A	(2)20A Single Pole	Grey	18	16



**TS-171AV**

### Two Gang Toggle Switch & Receptacle Cover for 1 Switch & 1 Single Receptacle

Die cast cover, gasket & screws included

BWF#	Unit UPC 0-87115	Unit Cubic	Switch	Description Color	Case Qty.	Case Weight
<b>Show Pak</b>						
TS-171AV	27349-9	N/A	N/A	Bronze	24	16
TS-171WV	27350-5	N/A	N/A	White	24	16

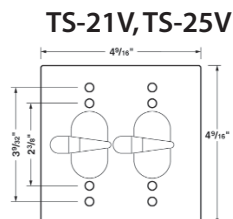


**TS-161V**

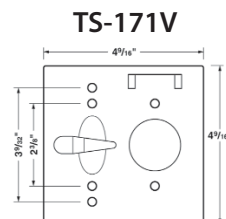
### Two Gang Toggle Switch & Receptacle Cover for 1 Switch & 1 Duplex Receptacle

Die cast cover, gasket & screws included

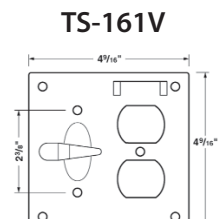
BWF#	Unit UPC 0-87115	Unit Cubic	Switch	Description Color	Case Qty.	Case Weight
<b>Show Pak</b>						
TS-161V	27351-2	N/A	N/A	Grey	24	16
TS-161AV	27352-9	N/A	N/A	Bronze	24	16



**TS-21V, TS-25V**



**TS-171V**



**TS-161V**

## ROUND WEATHERPROOF COVERS – DIE CAST METAL

### Ceiling Outlet Cover, 5" O.D., Flat with Beveled Edge

Stamped aluminum cover with mounting screws

BWF#	Unit UPC 0-87115	Unit Cubic	Cover	Description	Color	Case Qty.	Case Weight
<b>Show Pak</b>							
CC-3WV	27356-7	N/A	for 3" box		White	50	8
CC-4WV	27359-8	N/A	for 4" box		White	50	8



**CC-3WV**

### Round Blank Cover, 4" O.D.

Stamped aluminum covers, gasket & screws included

BWF#	Unit UPC 0-87115	Unit Cubic	Cover	Description	Color	Case Qty.	Case Weight
<b>Show Pak</b>							
RBCV	20100-3	N/A	Blank		Grey	50	10
RBCAV	52882-7	N/A	Blank		Bronze	50	10
RBCWV	52881-0	N/A	Blank		White	50	10



**RBCV**

### Round Lampholder Cover, One 1/2" Hole, 4-1/2" Diameter

Die cast cover, gasket & screws included

BWF#	Unit UPC 0-87115	Unit Cubic	Cover	Description	Color	Case Qty.	Case Weight
<b>Show Pak</b>							
CR-1V	28006-0	N/A	1-1/2"		Grey	24	10
CR-1AV	52877-3	N/A	1-1/2"		Bronze	24	10
CR-1WV	52876-6	N/A	1-1/2"		White	24	10



**CR-1V**

#### Blister Carded

931-1	00931-9	78	1-1/2"		Grey	6	2
931AB-1	28512-6	78	1-1/2"		Bronze	6	2
931W-1	50085-4	78	1-1/2"		White	6	2

### Round Lampholder Cover, Three 1/2" Holes, 4-1/2" Diameter

Closure plugs, gasket & screws included

BWF#	Unit UPC 0-87115	Unit Cubic	Cover	Description	Color	Case Qty.	Case Weight
<b>Show Pak</b>							
CR-3V	28026-8	N/A	3-1/2"		Grey	24	10
CR-3AV	28525-6	N/A	3-1/2"		Bronze	24	10
CR-3WV	28725-0	N/A	3-1/2"		White	24	10



**DS-1V**

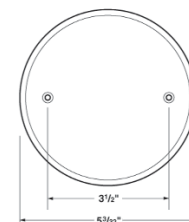
#### Blister Carded

933-1	00933-3	78	3-1/2"		Grey	6	3
933AB-1	28532-4	78	3-1/2"		Bronze	6	3
933W-1	50090-8	78	3-1/2"		White	6	3

### Automatic Door Operated Light Switch

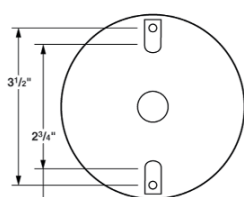
Switch in "ON" when door is open

BWF#	Unit UPC 0-87115	Unit Cubic	Switch	Description	Color	Case Qty.	Case Weight
<b>Show Pak</b>							
DS-1V	09005-8	N/A	Automatic		Metal	24	2.5

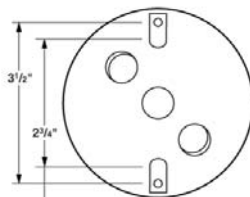


**CC-3WV, CC-4WV**

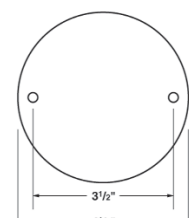
#### Additional knock-outs provided for mounting to 3-1/2" round box



**CR-1V, 931**



**RBCV**



**RBCV**



## LAMP HOLDERS – DIE CAST METAL

### BWF Product Benefits & Features

- Rugged, seamless, die-cast construction that prevents moisture entry
- State of the art powder coat finish for maximum durability
- Locking swivel knuckle allows positive lamp positioning and pin-point directional aiming
- Lampholders supplied with porcelain sockets, internal gaskets, extra long wire leads, hardware and installation instructions

### Applications

- For exterior or interior lighting
- For safety and security, light walkways, driveways and doorways

### Die Cast Lampholder

Porcelain socket & internal gasket included

BWF#	Unit UPC 0-87115	Unit Cubic	Type	Description	Color	Case Qty.	Case Weight
<b>Bulk</b>							
HU-1	30015-7	N/A	Unfinished		Metal	50	25
<b>Show Pak</b>							
H-1V	30006-5	N/A	with leads		Grey	27	14
H-1AV	30505-3	N/A	with leads		Bronze	27	14
H-1WV	30705-7	with leads	White		27	14	
<b>Blister Carded</b>							
1001-1	01001-8	86	with leads		Grey	6	4
1001AB-1	30156-7	86	with leads		Bronze	6	4
1001W -1	50115-8	86	with leads		White	6	4



**H-1V**



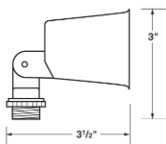
**HG-100V**



**H-90**

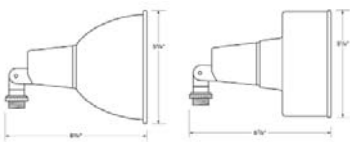


**H-92**



**H1V**

All BWF Incandescent Lampholders use one 150 Watt maximum standard base floodlight bulb. Bulbs not included.



**H-90, HH55 H-92, HH75**

### Die Cast Lampholder with External Gasket

Porcelain socket & internal gasket included

BWF#	Unit UPC 0-87115	Unit Cubic	Type	Description	Color	Case Qty.	Case Weight
<b>Show Pak</b>							
HG-100V	27370-3	N/A	H1 w/gasket		Grey	27	15
HG-100AV	27371-0	N/A	H1 w/gasket		Bronze	27	15
HG-100WV	27372-7	N/A	H1 w/gasket		White	27	15

### Die Cast Lampholder with Attached 5-1/2" Hood

Porcelain socket & internal gasket included

BWF#	Unit UPC 0-87115	Unit Cubic	Type	Description	Color	Case Qty.	Case Weight
<b>Boxed</b>							
H-90	31005-7	248	5-1/2" Hood		Grey	6	6
H-90AB	31505-2	248	5-1/2" Hood		Bronze	6	6
H-90W	31705-6	248	5-1/2" Hood		White	6	6
<b>Display Packaging</b>							
HH55	04455-6	248	5-1/2" Hood		Grey	6	7
HH55AB	31507-6	248	5-1/2" Hood		Bronze	6	7
HH55W	50120-2	248	5-1/2" Hood		White	6	7
HH55B	31506-9	248	5-1/2" Hood		Black	6	7

### Die Cast Lampholder with Attached 5-1/8" Contemporary Hood

Porcelain socket & internal gasket included

BWF#	Unit UPC 0-87115	Unit Cubic	Type	Description	Color	Case Qty.	Case Weight
<b>Boxed</b>							
H-92	31022-4	248	Contemporary		Grey	6	7
H-92AB	31522-9	248	Contemporary		Bronze	6	7
H-92W	50131-8	248	Contemporary		White	6	7
<b>Display Packaging</b>							
HH75	04475-4	248	Contemporary		Grey	6	7
HH75AB	31523-6	248	Contemporary		Bronze	6	7
HH75W	50130-1	248	Contemporary		White	6	7

## LAMP HOLDERS – DIE CAST METAL

### Slip Fitter Pole Top Adapters

For use with troughs or boxes

BWF#	Unit UPC 0-87115	Unit Cubic	Type	Description	Color	Case Qty.	Case Weight
<b>Boxed</b>							
A-20	39020-2	40	1/2" NPT		Metal	10	4

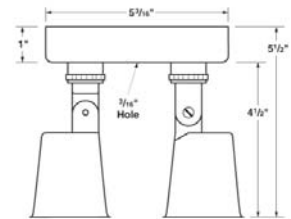


**A-20**

### Two Lamp Swivel Light with Deep Ceiling Plate

Deep ceiling plate, 2 adjustable lampholders, porcelain sockets & internal gaskets

BWF#	Unit UPC 0-87115	Unit Cubic	Type	Description	Color	Case Qty.	Case Weight
<b>Boxed</b>							
SVLD-2	31136-8	125	Deep Box		Grey	8	14
SVLD-2AB	31537-3	125	Deep Box		Bronze	8	14
SVLD-2W	31737-7	125	Deep Box		White	8	14



**SVLD-2**

### Round One Lamp Floodlight Includes:

1 lampholder with porcelain socket, round cover, gaskets & screws

BWF#	Unit UPC 0-87115	Unit Cubic	Type	Description	Color	Case Qty.	Case Weight
<b>Show Pak</b>							
LHC-1V	31025-5	N/A	RD 1 Lamp		Grey	8	7.5
LHC-1AV	31525-0	N/A	RD 1 Lamp		Bronze	8	7.5
LHC-1WV	31725-4	N/A	RD 1 Lamp		White	8	7.5
<b>Blister Carded</b>							
93101 -1	66599-7	175	RD 1 Lamp		Grey	6	6
93101AB -1	31526-7 1	75	RD 1 Lamp		Bronze	6	6
93101W-1	50135-6	175	RD 1 Lamp		White	6	6
93101B -1	31527-4	175	RD 1 Lamp		Black	6	6



**LHC-1V**

### Round Two Lamp Floodlight Includes:

2 lampholders with porcelain sockets, 3 hole round cover, gaskets & screws

BWF#	Unit UPC 0-87115	Unit Cubic	Type	Description	Color	Case Qty.	Case Weight
<b>Show Pak</b>							
LHC-2V	31035-4	N/A	RD 2 Lamp		Grey	8	10.5
LHC-2AV	31535-9	N/A	RD 2 Lamp		Bronze	8	10.5
LHC-2WV	31735-3	N/A	RD 2 Lamp		White	8	10.5
<b>Blister Carded</b>							
93102-1	66600-0	192	RD 2 Lamp		Grey	6	9
93102AB-1	31531-1	192	RD 2 Lamp		Bronze	6	9
93102W -1	50140-0	192	RD 2 Lamp		White	6	9
93102B -1	31530-4	192	RD 2 Lamp		Black	6	9



**LHC-2V**

### Round Two Lamp Floodlight Kit Includes:

2 lampholders with porcelain sockets, 3 hole round cover, 5 hole round box, gaskets & screws

BWF#	Unit UPC 0-87115	Unit Cubic	Type	Description	Color	Case Qty.	Case Weight
<b>Clamshell Kit</b>							
2HRBK-C-1	02437-4	220	RD 2 Lamp Kit		Grey	10	21
2HRBKAB-C-1	02438-1	220	RD 2 Lamp Kit		Bronze	10	21
2HRBKW-C-1	02439-8	220	RD 2 Lamp Kit		White	10	21
2HRBK-B-C-1	02440-4	220	RD 2 Lamp Kit		Black	10	21
<b>Display Packaging</b>							
2HRBK	02430-5	180	RD 2 Lamp Kit		Grey	10	23
2HRBKAB	02436-7	180	RD 2 Lamp Kit		Bronze	10	23
2HRBKW	50190-5	180	RD 2 Lamp Kit		White	10	23
2HRBKB	02435-0	180	RD 2 Lamp Kit		Black	10	23



**2HRBK**

## LAMP HOLDERS – DIE CAST METAL

### Rectangular One Lamp Floodlight Includes:

1 lampholder with porcelain socket, 1 hole rectangular cover, gaskets & screws



**LHR-1V**

BWF#	Unit UPC 0-87115	Unit Cubic	Type	Description	Color	Case Qty.	Case Weight
<b>Show Pak</b>							
LHR-1V	31055-2	N/A	RT 1 Lamp	Grey		8	6.5
LHR-1AV	31555-7	N/A	RT 1 Lamp	Bronze		8	6.5
LHR-1WV	31755-1	N/A	RT 1 Lamp	White		8	6.5

### Rectangular Two Lamp Floodlight Includes:

2 lampholders with porcelain sockets, 3 hole rectangular cover, plug, gaskets & screws



**LHR-2V**

BWF#	Unit UPC 0-87115	Unit Cubic	Type	Description	Color	Case Qty.	Case Weight
<b>Show Pak</b>							
LHR-2V	31065-1	N/A	RD 2 Lamp	Grey		8	10
LHR-2AV	31565-6	N/A	RD 2 Lamp	Bronze		8	10
LHR-2WV	31765-0	N/A	RD 2 Lamp	White		8	10

### Rectangular Two Lamp Floodlight Kit Includes:

2 lampholders w/porcelain sockets, 3 hole rectangular cover, 3 hole rectangular box, gaskets & screws



**2HBKC**

BWF#	Unit UPC 0-87115	Unit Cubic	Type	Description	Color	Case Qty.	Case Weight
<b>Clamshell Kit</b>							
2HBK-C-1	02401-5	309	RT 2 Lamp Kit	Grey		10	20
2HBKAB-C-1	02402-2	309	RT 2 Lamp Kit	Bronze		10	20
2HBKW-C-1	02403-9	309	RT 2 Lamp Kit	White		10	20
2HBKB-C-1	02404-6	309	RT 2 Lamp Kit	Black		10	20
<b>Display Box Kit</b>							
2HBK	02400-8	180	RT 2 Lamp Kit	Grey		10	20
2HBKAB	02406-0	180	RT 2 Lamp Kit	Bronze		10	20
2HBKW	50185-1 1	80	RT 2 Lamp Kit	White		10	20
2HBKB	02405-3	180	RT 2 Lamp Kit	Black		10	20

### Rectangular Three Lamp Floodlight Kit Includes:

3 lampholders w/porcelain sockets, 3 hole rectangular cover, 3 hole rectangular box, gaskets & screws



**LHR-3V**

BWF#	Unit UPC 0-87115	Unit Cubic	Type	Description	Color	Case Qty.	Case Weight
<b>Show Pak</b>							
LHR-3AV	27393-2	N/A	RT 3 Lamp	Bronze		8	13
LHR-3WV	27394-9	N/A	RT 3 Lamp	White		8	13

### Contemporary Two Lamp Floodlight Kit Includes:

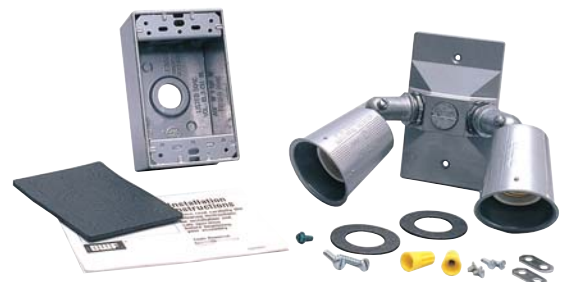
2 lampholders, 3 hole rectangular cover, 3 hole rectangular box, gaskets & screws



**2H75K**

BWF#	Unit UPC 0-87115	Unit Cubic	Type	Description	Color	Case Qty.	Case Weight
<b>Display Box Kit</b>							
2H75KW	50215-5	547	RT 2 Lamp Kit	White		6	19
2H75KB	24755-1	547	RT 2 Lamp Kit	Black		6	19

Every BWF Kit is a complete weatherproof installation. All hardware and components are included, making additional purchases unnecessary. Each kit includes illustrated, easy-to-install instructions.





## SECURITY LIGHTING – DIE CAST METAL

BWF has a complete line of Security Lighting and Photoelectric components and replacement parts. Automatic night switches will effectively light and protect an area from dusk until dawn. They are used for sunset activated control of night lighting and may be used for many applications, such as: porch lights, garden lights, post lanterns, barn lights, loading dock areas, industrial sites and outdoor signage. A built in time delay prevents operation triggered by auto headlamps or other temporary light flashes.

### Rectangular Two Lamp Security Light Includes:

2 lampholders w/porcelain sockets, 3 hole rectangular cover with photoelectric eye, gaskets & screws

BWF#	Unit UPC 0-87115	Unit Cubic	Description Outlets	Color	Case Qty.	Case Weight
<b>Clamshell Kit</b>						
SL-2C-1	50147-9	309	RT 2 Lamp Kit	Grey	10	19
SL-2BC-1	50151-6	309	RT 2 Lamp Kit	Black	10	19
<b>Display Box Kit</b>						
SL-2	00782-7	180	RT 2 Lamp Kit	Grey	10	21
SL-2B	50146-2	180	RT 2 Lamp Kit	Black	10	21



SL-2

## CHROME PLATED CLAMP-ON GUARD – FOR BULB PROTECTION

### Clamp-on Guard – Chrome Plated

Fits H-1 lampholders for floodlight bulb protection

BWF#	Unit UPC 0-87115	Unit Cubic	Type	Description Color	Case Qty.	Case Weight
<b>Clamshell Kit</b>						
GD-100V	31169-6	N/A	Clamp	Chrome	5	2.5



GD-100V



Lights will automatically come on at dusk



Avoid accidents and intrusions by brightly illuminating walkways and driveways.



Deter crime by brightly lighting areas that might otherwise attract a potential burglar.

## GARDEN LIGHTING – DIE CAST METAL



**P-3**

Incandescent: 75W max,  
Bulb not included



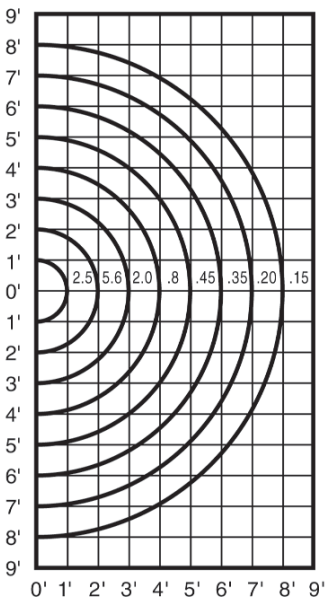
**P-4**

Incandescent: 75W max,  
Bulb not included



### Isolux Curve

Wattage	Multiplier	Wattage	Multiplier
150	1.0	50	.27
75	.68	40	.26
60	.44	25	.13



### Photometrics:

Based on lamp center 24" above ground. Based on 100 Watt A-19 inside frosted 1750 lumen lamp. For other wattage see table above.



### BWF Product Benefits & Features

- Rugged, seamless, die-cast construction that does not allow moisture entry
- State of the art powder coat finish for maximum durability
- Includes screw-in clear glass globe, 5" for 3-Tier, 7" for 4-Tier lights

### Applications

- For accent lighting along walkways, driveways, • Lighting around pools, patios and garden areas terraces and porches • Accent shrubbery and landscaping

### Three Tier Louver Light with 5" Glass Globe

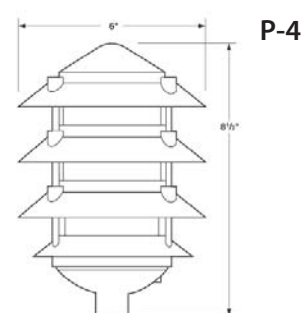
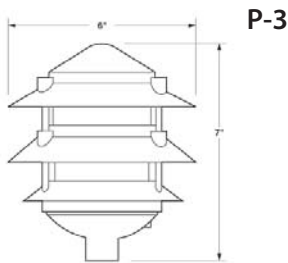
1/2" NPT base, 110/120V 75 Watt Max

BWF#	Unit UPC 0-87115	Pipe Size	Type	Description Color	Case Qty.	Case Weight
<b>Boxed</b>						
P-3	33005-5	333	3 Tier	Green	6	18
P-3AB	33510-4	333	3 Tier	Bronze	6	18
P-3W	33705-4	333	3 Tier	White	6	18
P-3B	33010-9	333	3 Tier	Black	6	18
LL3	00883-1	347	3 Tier	Green	6	18

### Four Tier Louver Light with 7" Glass Globe

1/2" NPT base, 110/120V 100 Watt Max

BWF#	Unit UPC 0-87115	Pipe Size	Type	Description Color	Case Qty.	Case Weight
<b>Boxed</b>						
P-4	33015-4	333	4 Tier	Green	6	22
P-4AB	33515-9	333	4 Tier	Bronze	6	22
P-4W	33706-1	333	4 Tier	White	6	22
P-4B	33020-8	333	4 Tier	Black	6	22
LL4	00884-8	347	4 Tier	Green	6	23



**Portable Spikelite**

1 - H-1 lampholder with external gasket, 7" ground spike, 6 ft 18/3 cord w/molded plug

BWF#	Unit UPC 0-87115	Unit Cubic	Type	Description	Color	Case Qty.	Case Weight
<b>Show Pak</b>							
SP-1V	27399-4	N/A	H-1 w/Spike/Cord	Grey	Green	6	7
SP-1GV	31193-1	N/A	H-1 w/Spike/Cord	Green	Green	6	7
<b>Bulk Pallet</b>							
SP-1	33130-4	N/A	H-1 w/Spike/Cord	Grey	Green	80	90
SP-1G	31194-8	N/A	H-1 w/Spike/Cord	Green	Green	80	90



**SP-1V**

**Replacement Parts and Accessories for Garden Lighting**

BWF#	Unit UPC 0-87115	Unit Cubic	Type	Description	Color	Case Qty.	Case Weight
<b>Boxed</b>							
G-5	33085-7	N/A	5" Globe	Clear Glass	Clear Glass	40	32
G-7	33090-1	N/A	6" Globe	Clear Glass	Clear Glass	32	33
<b>Show Pak</b>							
MGSV	21030-2	N/A	7" Ground spike	Grey	Grey	18	6



**G-5**



**G-7**



**MGSV**

## VAPORTIGHT FIXTURES – INCANDESCENT

### Pendant Fixtures

1/2" & 3/4" NPT base, 110/120V, fully enclosed & gasketed

BWF#	Unit UPC 0-87115	Hub Size	Wattage	Description	Color	Case Qty.	Case Weight
<b>Boxed</b>							
VPKG-11L	14020-3	1/2"	75	Lexan® Clear		6	10
VPKG-21L	14025-8	3/4"	75	Lexan® Clear		6	10
VPKG-11	14030-2	1/2"	100	Glass Clear		6	13
VPKG-21	14035-7 3	3/4"	100	Glass Clear		6	13
VPKG-12L	14220-7	1/2"	100	Lexan® Clear		1	2.1
VPKG-22L	14225-2	3/4"	100	Lexan® Clear		1	2.1
VPKG-12	14230-6	1/2"	200	Glass Clear		1	3.6
VPKG-22	14235-1	3/4"	200	Glass Clear		1	3.6



**VPKG-11**



**VPKG-11-G**

### Pendant Fixtures with Guard

1/2" & 3/4" NPT base, 110/120V, fully enclosed & gasketed

BWF#	Unit UPC 0-87115	Hub Size	Wattage	Description	Color	Case Qty.	Case Weight
<b>Boxed</b>							
VPKG-11-G	14040-1	1/2"	100	Glass Clear		6	16
VPKG-11-CG	14039-5	1/2"	100	Glass Clear		6	20
VPKG-21-G	14045-6	3/4"	100	Glass Clear		6	16
VPKG-21-CG	14044-9	3/4"	100	Glass Clear		6	20
VPKG-12-G	14240-5	1/2"	200	Glass Clear		1	4.1
VPKG-22-G	14245-0	3/4"	200	Glass Clear		1	4.1

## VAPORTIGHT FIXTURES – INCANDESCENT

### Surface Mount Fixtures for Round or Octagonal Boxes

Fits all 3-1/2" and 4" round boxes, 1/2" & 3/4" NPT base, 110/120V, fully enclosed & gasketed

BWF#	Unit UPC 0-87115	Hub Size	Wattage	Description Color	Case Qty.	Case Weight
<b>Boxed</b>						
VPAG-01L	14050-0	3-1/2 & 4"	75	Lexan® Clear	6	7
VPAG-01	14055-5	3-1/2 & 4"	100	Glass Clear	6	10
VPAG-02L	14250-4	3-1/2 & 4"	100	Lexan® Clear	1	1.5
VPAG-02	14255-9	3-1/2 & 4"	200	Glass Clear	1	3.0

### Surface Mount Fixtures for Round or Octagonal Boxes

Fits all 3-1/2" and 4" round boxes, 1/2" & 3/4" NPT base, 110/120V, fully enclosed & gasketed

BWF#	Unit UPC 0-87115	Hub Size	Wattage	Description Color	Case Qty.	Case Weight
<b>Boxed</b>						
VPAG-01L	14050-0	3-1/2 & 4"	75	Lexan® Clear	6	7
VPAG-01	14055-5	3-1/2 & 4"	100	Glass Clear	6	10
VPAG-02L	14250-4	3-1/2 & 4"	100	Lexan® Clear	1	1.5
VPAG-02	14255-9	3-1/2 & 4"	200	Glass Clear	1	3.0

### Surface Mount Fixtures with Guard for Round or Octagonal Boxes

Fits all 3-1/2" and 4" round boxes, 1/2" & 3/4" NPT base, 110/120V, fully enclosed & gasketed

BWF#	Unit UPC 0-87115	Hub Size	Wattage	Description Color	Case Qty.	Case Weight
<b>Boxed</b>						
VPAG-01-G	14060-9	3-1/2 & 4"	100	Glass Clear	6	18
VPAG-01-CG	14059-3	3-1/2 & 4"	100	Glass Clear	6	20
VPAG-02-G	14260-3	3-1/2 & 4"	200	Glass Clear	1	3.5

INCANDESCENT: 75W, 100W, 200W, see individual products, bulb not included.

**IMPORTANT:**

- Vaportight fixtures are not for use in hazardous locations.
- Fixtures supplied with glass globes are furnished with "Clear" glass. See page 31 for glass globes.
- Standard Lexan® fixtures have "Clear" Lexan globes. To order any of those fixtures with Red, White, Amber or Green globes, add the suffix "R," "W," "A" or "G" to the catalog number. See page 31 for Lexan® globes.

LEXAN® is a registered trademark of General Electric Co.



**VPKG-11-CG**



**VPAG-01-G**



**VPAG-01-CG**

G = Wire Guard CH = Cast Guard

VAPORTIGHT

### Box Mounted Fixture for Wall or Ceiling

Four sided holes taped, 1/2" & 3/4" NPT base, 110/120V, fully enclosed & gasketed, 3 plugs

BWF#	Unit UPC 0-87115	Box Size	Wattage	Description Color	Case Qty.	Case Weight
<b>Boxed</b>						
VPXG-11L	14065-4	1/2"	75	Lexan® Clear	6	10
VPXG-21L	14070-8	3/4"	75	Lexan® Clear	6	10
VPXG-11	14075-3	1/2"	100	Glass Clear	6	13
VPXG-21	14080-7	3/4"	100	Glass Clear	6	13
VPXG-12L	14265-8	1/2"	100	Lexan® Clear	1	1.9
VPXG-22L	14270-2	3/4"	100	Lexan® Clear	1	2.1
VPXG-12	14275-7	1/2"	200	Glass Clear	1	3.6
VPXG-22	14280-1	3/4"	200	Glass Clear	1	3.6



**VPXG-11**



**VPXG-11-G**

## VAPORTIGHT FIXTURES – INCANDESCENT

### Box Mounted Fixture for Wall or Ceiling with Guard

Four sided holes taped, 1/2" & 3/4" NPT base, 110/120V, fully enclosed & gasketed, 3 plugs



**VPXG-11-CG**



**VPG-01**



**VPG-01-G**



**VWG-01-CG**

G = Wire Guard CH = Cast Guard

BWF#	Unit UPC 0-87115	Box Size	Wattage	Description	Color	Case Qty.	Case Weight
<b>Boxed</b>							
VPXG-11-G	14085-2	1/2"	100		Glass Clear	6	16
VPXG-11-CG	14086-9	1/2"	100		Glass Clear	6	20
VPXG-21-G	14090-6	3/4"	100		Glass Clear	6	16
VPXG-21-CG	14092-0	3/4"	100		Glass Clear	6	20
VPXG-12-G	14285-6	1/2"	200		Glass Clear	1	4.2
VPXG-22-G	14286-3	3/4"	200		Glass Clear	1	4.2

### Wall Mount Fixture with Right Angle Bracket

For use with 4" box, 110/120V, fully enclosed & gasketed

BWF#	Unit UPC 0-87115	Box Size	Wattage	Description	Color	Case Qty.	Case Weight
<b>Boxed</b>							
VWG-01L	14011-1	4"	75		Lexan® Clear	1	2.0
VWG-01	14021-0	4"	100		Glass Clear	1	2.8
VWG-02L	14287-0	4"	100		Lexan® Clear	1	2.4
VWG-02	14288-7	4"	200		Glass Clear	1	3.7

### Wall Mount Fixture with Right Angle Bracket with Guard

For use with 4" box, 110/120V, fully enclosed & gasketed

BWF#	Unit UPC 0-87115	Box Size	Wattage	Description	Color	Case Qty.	Case Weight
<b>Boxed</b>							
VWG-01-G	14031-9	4"	100		Glass Clear	1	3.2
VWG-01-CG	14032-6	4"	100		Glass Clear	1	4.1
VWG-02-G	14289-4	4"	200		Glass Clear	1	4.2

INCANDESCENT: 75W, 100W, 200W, see individual products, bulb not included.

#### IMPORTANT:

- Vaportight fixtures are not for use in hazardous locations.
- Fixtures supplied with glass globes are furnished with "Clear" glass. See page 31 for glass globes.
- Standard Lexan® fixtures have "Clear" Lexan globes. To order any of those fixtures with Red, White, Amber or Green globes, add the suffix "R", "W", "A" or "G" to the catalog number. See page 31 for Lexan® globes.

LEXAN® is a registered trademark of General Electric Co.

## VAPORTIGHT FIXTURES – INCANDESCENT

### Wall Mount Fixture with Right Angle Bracket & Box

Factory assembled to 4" weatherproof box, 110/120V, fully enclosed & gasketed, 3 plugs

BWF#	Unit UPC 0-87115	Box Size	Wattage	Description	Color	Case Qty.	Case Weight
<b>Boxed</b>							
VXWG-11L	14041-8	1/2"	75	Lexan® Clear		1	2.7
VXWG-21L	14051-7	3/4"	75	Lexan® Clear		1	3.0
VXWG-11	14061-6	1/2"	100	Glass Clear		1	3.4
VXWG-21	14071-5	3/4"	100	Glass Clear		1	3.4
VXWG-12L	14290-0	1/2"	100	Lexan® Clear		1	3.1
VXWG-22L	14291-7	3/4"	100	Lexan® Clear		1	3.1
VXWG-12	14292-4	1/2"	200	Glass Clear		1	4.5
VXWG-22	14293-1	3/4"	200	Glass Clear		1	4.5



VXWG-11



VXWG-11-G



VXWG-11-CG

G = Wire Guard CG = Cast Guard

### Wall Mount Fixture with Right Angle Bracket & Box with Guard

Factory assembled to 4" weatherproof box, 110/120V, fully enclosed & gasketed, 3 plugs

BWF#	Unit UPC 0-87115	Box Size	Wattage	Description	Color	Case Qty.	Case Weight
<b>Boxed</b>							
VXWG-11-G	14081-4	1/2"	100	Glass Clear		1	3.8
VXWG-11-CG	14082-1	1/2"	100	Glass Clear		1	4.7
VXWG-21-G	14091-3	3/4"	100	Glass Clear		1	3.8
VXWG-21-CG	14089-0	3/4"	100	Glass Clear		1	4.7
VXWG-12-G	14294-8	1/2"	200	Glass Clear		1	5.1
VXWG-22-G	14295-5	3/4"	200	Glass Clear		1	5.1

## VAPORTIGHT FIXTURES – INCANDESCENT

### BWF Product Benefits & Features

- Rugged, seamless, die-cast construction that prevents moisture entry
- State of the art powder coat finish for maximum durability
- All fixtures are industrial grade, factory assembled and fully gasketed
- Engineered to protect the interior from deteriorating effects of ice, corrosive fumes, non-explosive vapors, etc.
- Choose between heat resistant glass globes or Lexan® plastic globes in a choice of colors, see page 31
- 75, 100 and 200 Watt Incandescent fixtures – 7 and 13 Watt PL Fluorescent fixtures

### Applications

- For use in severe service areas where extreme conditions prevail
- Applications: subways, construction sites, bridges, tunnels, freezers, waste water & sewage treatment plants



Wire Guard - VPGW



Cast Guard - BPCG



Pendant - VPKG



Ceiling Mount - VPAG



Box Mounted - VPXG



Right Angle Wall  
Mount - VWG



Right Angle Wall  
Mount Assembled  
to Box - VXWG



## VAPORTIGHT FIXTURES – INCANDESCENT

### Replacement Parts & Accessories



BWF#	Unit UPC 0-87115	Hub Size	Max Wattage	Description	Color	Case Qty.	Case Weight
<b>Boxed</b>							
VPK-11	15020-2	1/2"	100	Pendant cap,	Grey	10	18
VPK-21	15025-7	3/4"	100	porcelain socket	Grey	10	18
VPK-12	15220-6	1/2"	200	gasket and screws	Grey	10	10
VPK-22	15225-1	3/4"	200		Grey	10	10
VPA-01-N	15030-1	N/A	100	Ceiling box cap, socket	Grey	10	12
VPA-02	15230-5	N/A	200	gasket and screws	Grey	10	12
VPX-11	15035-6	1/2"	100	Ceiling mount box	Grey	10	19
VPX-21	15040-0	3/4"	100	with gaskets,	Grey	10	19
VPX-12	15235-0	1/2"	200	porcelain socket	Grey	10	19
VPX-22	15240-4	3/4"	200	and screws	Grey	10	19
VPXL-1	14271-9	5 - 1/2"	N/A	Cross feed box 5 hole	Grey	10	9
VPXL-13	14272-6	5 - 3/4"	N/A	with gaskets	Grey	10	9
VW-01	14096-8	N/A	100	Right angle bracket	Grey	10	21
VW-02	14196-5	N/A	200	gasket, socket, screws	Grey	6	12
VXW-11	14097-5	1/2"	100		Grey	1	3
VXW-21	14297-9	3/4"	100	Right angle bracket	Grey	1	3
VXW-12	14098-2	1/2"	200	attached box, gaslet	Grey	1	1.5
VXW-22	14298-6	3/4"	200	socket and screws	Grey	1	1.5
VPCG	15044-8	N/A	100	Heavy duty cast	Cast Zinc	5	7
VPGW	15045-5	#8 AWS	100		Wire	5	4
VPGW-02	15046-2	#8 AWS	200	Heavy duty	Wire	1	1
VPGL-01	15050-9	N/A	100	(wire guard	Glass Clear	1	1.5
VPGL-02	15051-6	N/A	200		Glass Clear	1	2
VPGLL-01	15055-4	N/A	75		Lexan® Clear	12	3
VPGLL-01R	15060-8	N/A	75	Lexan® globe	Lexan® Red	12	3
VPGLL-01W	15065-3	N/A	75	for 100 Watt	Lexan® White	12	3
VPGLL-01A 1	5070-7	N/A	75	and 200 Watt	Lexan® Amber	12	3
VPGLL-01G	15056-1	N/A	75	fixtures	Lexan® Green	12	3
VPGLL-02	15071-4	N/A	150		Lexan® Clear	6	5
AP-1	15075-2	3 1/2 & 4"	N/A	Adapter plate w/gasket	Metal	20	4
PL-5	21005-0	1/2"	N/A	Closure Plug	Metal	1000	20
PL-75	21010-4	3/4"	N/A	Closure Plug	Metal	1000	21

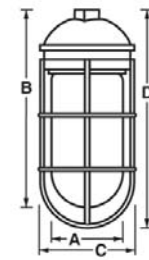


**VPKG Without Guard**

Cat No	A	B
VPKG-11L	3-11/16"	8-3/16"
VPKG-21L	3-11/16"	8-3/16"
VPKG-11	3-11/16"	8-3/16"
VPKG-21	3-11/16"	8-3/16"
VPKG-12L	4-3/8"	10-1/2"
VPKG-22L	4-3/8"	10-1/2"
VPKG-12	4-3/8"	10-1/2"
VPKG-22	4-3/8"	10-1/2"

**VPKG With Guard**

Cat No	C	D
VPKG-11-G	4-1/4"	9-5/8"
VPKG-11-CG	4-1/4"	9-5/8"
VPKG-21-G	4-1/4"	9-5/8"
VPKG-21-CG	4-1/4"	9-5/8"
VPKG-12-G	5-1/2"	11"
VPKG-22-G	5-1/2"	11"



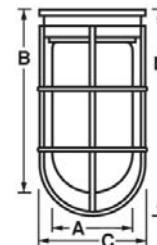
**VPKG**

**VPAG Without Guard**

Cat No	A	B
VPAG-01L	3-11/16"	6-13/16"
VPAG-01	3-11/16"	6-13/16"
VPAG-02L	4-3/8"	8-1/2"
VPAG-02	4-3/8"	8-1/2"

**VPAG With Guard**

Cat No	C	D
VPAG-01-G	4-1/4"	7-9/16"
VPAG-01-CG	4-1/4"	7-9/16"
VPAG-02-G	5-1/2"	9"



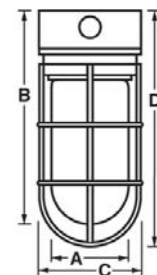
**VPAG**

**VPXG Without Guard**

Cat No	A	B
VPXG-11L	3-11/16"	8-5/8"
VPXG-21L	3-11/16"	8-5/8"
VPXG-11	3-11/16"	8-5/8"
VPXG-21	3-11/16"	8-5/8"
VPXG-12L	4-3/8"	10-1/2"
VPXG-22L	4-3/8"	10-1/2"
VPXG-12	4-3/8"	10-1/2"
VPXG-22	4-3/8"	10-1/2"

**VPXG With Guard**

Cat No	A	B
VPXG-11-G	4-1/4"	9-1/8"
VPXG-11-CG	4-1/4"	9-1/8"
VPXG-21-G	4-1/4"	9-1/8"
VPXG-21-CG	4-1/4"	9-1/8"
VPXG-12-G	5-1/2"	10-3/4"
VPXG-22-G	5-1/2"	10-3/4"



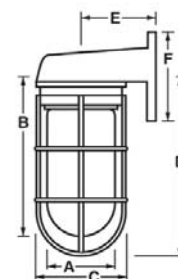
**VPXG**

**VWG Without Guard**

Cat No	A	B	E	F
VWG-01L	3-11/16"	7-1/4"	3"	4-1/4"
VWG-01	3-11/16"	7-1/4"	3"	4-1/4"
VWG-02L	4-3/8"	8-3/4"	3"	4-1/2"
VWG-02	4-3/8"	8-3/4"	3"	4-1/2"

**VWG With Guard**

Cat No	C	D	E	F
VWG-01-G	4-1/4"	7-3/4"	3"	4-1/4"
VWG-01-CG	4-1/4"	7-3/4"	3"	4-1/4"
VWG-02-G	5-1/2"	9-1/4"	3"	4-1/2"



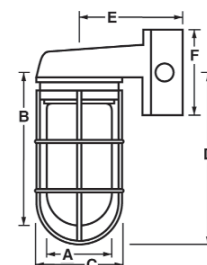
**VWG**

**VXWG Without Guard**

Cat No	A	B	E	F
VXWG-11L	3-11/16"	7-1/4"	4-1/2"	4-1/4"
VXWG-21L	3-11/16"	7-1/4"	4-1/2"	4-1/4"
VXWG-11	3-11/16"	7-1/4"	4-1/2"	4-1/4"
VXWG-21	3-11/16"	7-1/4"	4-1/2"	4-1/4"
VXWG-12L	4-3/8"	8-3/4"	4-1/2"	4-1/2"
VXWG-22L	4-3/8"	8-3/4"	4-1/2"	4-1/2"
VXWG-12	4-3/8"	8-3/4"	4-1/2"	4-1/2"
VXWG-22	4-3/8"	8-3/4"	4-1/2"	4-1/2"

**VXWG With Guard**

Cat No	C	D	E	F
VXWG-11-G	4-1/4"	7-3/4"	4-1/2"	4-1/4"
VXWG-11-CG	4-1/4"	7-3/4"	4-1/2"	4-1/4"
VXWG-21-G	4-1/4"	7-3/4"	4-1/2"	4-1/4"
VXWG-21-CG	4-1/4"	7-3/4"	4-1/2"	4-1/4"
VXWG-12-G	5-1/2"	9-1/4"	4-1/2"	4-1/2"
VXWG-22-CG	5-1/2"	9-1/4"	4-1/2"	4-1/2"



**VXWG**

## CONDUIT BODIES – DIE CAST METAL

### BWF Product Benefits & Features

- Rugged, seamless, die-cast construction that prevents moisture entry
- Flat back design for easy mounting close to walls
- State of the art powder coat finish for maximum durability
- May be used on aluminum or steel conduit

### Applications

- Threaded style conduit bodies are for use on rigid conduit.
- Set-screw style are for use on thinwall (EMT) conduit.
- Use BWF conduit outlet bodies for connecting conduit sections, for making bends in conduit runs, as pull outlets, or to provide openings for making splices and taps in conductors.



**500V**



**D100V**



**10V**



### Type SLB – Aluminum Conduit Entrance Ells

Cover & screws included, for rigid conduit

BWF#	Unit UPC 0-87115	Conduit Size	Type	Description	Color	Case Qty.	Case Weight
<b>Show Pak</b>							
500V	75005-1	1/2"	SLB Threaded	Grey		38	8
501V	75010-5	3/4"	SLB Threaded	Grey		36	8
502V	75015-0	1"	SLB Threaded	Grey		12	6
503V	75020-4	1-1/4"	SLB Threaded	Grey		12	11.5
504V	75025-9	1-1/2"	SLB Threaded	Grey		10	10
505V	75030-3	2"	SLB Threaded	Grey		4	5.5
<b>Boxed</b>							
503-XL	71035-2	1-1/4"	XL SLB Threaded	Grey		5	6
505-XL	71040-6	2"	XL SLB Threaded	Grey		5	14

### Type LR – Combo both Threaded and Set Screw Aluminum Conduit Bodies

For rigid or thinwall (EMT) conduit

BWF#	Unit UPC 0-87115	Conduit Size	Type	Description	Color	Case Qty.	Case Weight
<b>Show Pak</b>							
D100V	19102-1	1/2"	LR Threaded	Grey		27	7
D101V	19103-8	3/4"	LR Threaded	Grey		15	7.5
D102V	19104-5	1"	LR Threaded	Grey		14	9
D103V	19119-9	1-1/4"	LR Threaded	Grey		4	5.5
D104V	19132-8	1-1/2"	LR Threaded	Grey		4	6
D105V	19133-5	2"	LR Threaded	Grey		2	5.5

### Type LR – Set Screw Aluminum Conduit Bodies

For thinwall (EMT) conduit

BWF#	Unit UPC 0-87115	Conduit Size	Type	Description	Color	Case Qty.	Case Weight
<b>Show Pak</b>							
10V	28333-7	1/2"	LR Set Screw	Grey		27	7
11V	28334-4	3/4"	LR Set Screw	Grey		15	7.5
12V	28335-1	1"	LR Set Screw	Grey		14	9
13V	28336-8	1-1/4"	LR Set Screw	Grey		4	5.5
14V	28337-5	1-1/2"	LR Set Screw	Grey		4	6
15V	28338-2	2"	LR Set Screw	Grey		2	5.5
<b>Boxed</b>							
16	19138-0	2-1/2"	LR Set Screw	Grey		1	5
17	19139-7	3"	LR Set Screw	Grey		1	6
18	19140-3	3-1/2"	LR Set Screw	Grey		1	10
19	19141-0	4"	LR Set Screw	Grey		1	9

**Type LR – Threaded Aluminum Conduit Bodies**

For rigid conduit

BWF#	Unit UPC 0-87115	Conduit Size	Type	Description	Color	Case Qty.	Case Weight
<b>Show Pak</b>							
100V	28366-5	1/2"	LR Threaded	Grey		27	7
101V	28367-2	3/4"	LR Threaded	Grey		15	7.5
102V	28368-9	1"	LR Threaded	Grey		14	9
103V	28369-6	1-1/4"	LR Threaded	Grey		4	5.5
104V	28370-2	1-1/2"	LR Threaded	Grey		4	6
105V	28371-9	2"	LR Threaded	Grey		2	5.5
<b>Boxed</b>							
106	71240-0	2-1/2"	LR Threaded	Grey		1	5
107	71245-5	3"	LR Threaded	Grey		1	6
108	71250-9	3-1/2"	LR Threaded	Grey		1	10
109	71255-4	4"	LR Threaded	Grey		1	9



**100V**

**Type LL – Combo both Threaded and Set Screw Aluminum Conduit Bodies**

For rigid or thinwall (EMT) conduit

BWF#	Unit UPC 0-87115	Conduit Size	Type	Description	Color	Case Qty.	Case Weight
<b>Show Pak</b>							
D200V	19152-6	1/2"	LL Threaded	Grey		27	7
D201V	19153-3	3/4"	LL Threaded	Grey		15	7.5
D202V	19154-0	1"	LL Threaded	Grey		14	9
D203V	19157-1	1-1/4"	LL Threaded	Grey		4	5.5
D204V	19158-8	1-1/2"	LL Threaded	Grey		4	6
D205V	19159-5	2"	LL Threaded	Grey		2	5.5



**D200V**

**Type LL – Set Screw Aluminum Conduit Bodies**

For thinwall (EMT) conduit

BWF#	Unit UPC 0-87115	Conduit Size	Type	Description	Color	Case Qty.	Case Weight
<b>Show Pak</b>							
20V	28339-9	1/2"	LL Set Screw	Grey		27	7
21V	28340-5	3/4"	LL Set Screw	Grey		15	7.5
22V	28341-2	1"	LL Set Screw	Grey		14	9
23V	28342-9	1-1/4"	LL Set Screw	Grey		4	5.5
24V	28343-6	1-1/2"	LL Set Screw	Grey		4	6
25V	28439-6	2"	LL Set Screw	Grey			5.5
<b>Boxed</b>							
26	19146-5	2-1/2"	LL Set Screw	Grey		1	5
27	19147-2	3"	LL Set Screw	Grey		1	6
28	19148-9	3-1/2"	LL Set Screw	Grey		1	10
29	19149-6	4"	LL Set Screw	Grey		1	9



**20V**

## CONDUIT BODIES – DIE CAST METAL

### Type LL – Threaded Aluminum Conduit Bodies

For rigid conduit



**200V**

BWF#	Unit UPC 0-87115	Conduit Size	Type	Description	Color	Case Qty.	Case Weight
<b>Show Pak</b>							
200V	28372-6	1/2"	LL Threaded	Grey		27	7
201V	28373-3	3/4"	LL Threaded	Grey		15	7.5
202V	28374-0	1"	LL Threaded	Grey		14	9
203V	28375-7	1-1/4"	LL Threaded	Grey		4	5.5
204V	28376-4	1-1/2"	LL Threaded	Grey		4	6
205V	28477-1	2"	LL Threaded	Grey		2	5.5
<b>Boxed</b>							
206	71435-0	2-1/2"	LL Threaded	Grey		1	5
207	71440-4	3"	LL Threaded	Grey		1	6
208	71445-9	3-1/2"	LL Threaded	Grey		1	10
209	71450-3	4"	LL Threaded	Grey		1	9

### Type C – Combo both Threaded and Set Screw Aluminum Conduit Bodies

For rigid or thinwall (EMT) conduit



**D300V**

BWF#	Unit UPC 0-87115	Conduit Size	Type	Description	Color	Case Qty.	Case Weight
<b>Show Pak</b>							
D300V	19511-1	1/2"	C Threaded	Grey		24	6.5
D301V	19512-8	3/4"	C Threaded	Grey		18	7.5
D302V	19513-5	1"	C Threaded	Grey		14	9
D303V	19514-2	1-1/4"	C Threaded	Grey		8	12
D304V	19523-4	1-1/2"	C Threaded	Grey		8	11
D305V	19524-1	2"	C Threaded	Grey		2	5

### Type C – Threaded Aluminum Conduit Bodies

For right conduit



**300V**

BWF#	Unit UPC 0-87115	Conduit Size	Type	Description	Color	Case Qty.	Case Weight
<b>Show Pak</b>							
300V	28378-8	1/2"	C Threaded	Grey		24	6.5
301V	28379-5	3/4"	C Threaded	Grey		18	7.5
302V	28380-1	1"	C Threaded	Grey		14	9
303V	28381-8	1-1/4"	C Threaded	Grey		8	12
304V	28382-5	1-1/2"	C Threaded	Grey		8	11
305V	28383-2	2"	C Threaded	Grey		2	5
<b>Boxed</b>							
306	71535-7	2-1/2"	C Threaded	Grey		1	6.5
307	71540-1	3"	C Threaded	Grey		1	7.5
308	71545-6	3-1/2"	C Threaded	Grey		1	9
309	71550-0	4"	C Threaded	Grey		1	12

## Type C – Set Screw Aluminum Conduit Bodies

For thinwall (EMT) conduit

BWF#	Unit UPC 0-87115	Conduit Size	Type	Description	Color	Case Qty.	Case Weight
<b>Show Pak</b>							
30V	28344-3	1/2"	C Set Screw	Grey		24	6.5
31V	28345-0	3/4"	C Set Screw	Grey		18	7.5
32V	28346-7	1"	C Set Screw	Grey		14	9
33V	28347-4	1-1/4"	C Set Screw	Grey		8	12
34V	28348-1	1-1/2"	C Set Screw	Grey		8	11
35V	28349-8	2"	C Set Screw	Grey		2	5
<b>Boxed</b>							
36	19535-7	2-1/2"	C Set Screw	Grey		1	6.5
37	19536-4	3"	C Set Screw	Grey		1	7.5
38	19537-1	3-1/2"	C Set Screw	Grey		1	9
39	19538-8	4"	C Set Screw	Grey		1	12



**30V**

## Type LB – Combo both Threaded and Set Screw Aluminum Conduit Bodies

For rigid or thinwall (EMT) conduit

BWF#	Unit UPC 0-87115	Conduit Size	Type	Description	Color	Case Qty.	Case Weight
<b>Show Pak</b>							
D600V	19531-9	1/2"	LB Threaded	Grey		30	7
D601V	19532-6	3/4"	LB Threaded	Grey		18	7.5
D602V	19533-3	1"	LB Threaded	Grey		16	9
D603V	19534-0	1-1/4"	LB Threaded	Grey		8	5.5
D604V	19541-8	1-1/2"	LB Threaded	Grey		8	6
D605V	19542-5	2"	LB Threaded	Grey		2	5.5



**D600V**

## Type LB – Threaded Aluminum Conduit Bodies

For rigid conduit

BWF#	Unit UPC 0-87115	Conduit Size	Type	Description	Color	Case Qty.	Case Weight
<b>Show Pak</b>							
600V	28384-9	1/2"	LB Threaded	Grey		24	7
601V	28385-6	3/4"	LB Threaded	Grey		18	7.5
602V	28386-3	1"	LB Threaded	Grey		16	9
603V	28387-0	1-1/4"	LB Threaded	Grey		8	5.5
604V	28388-7	1-1/2"	LB Threaded	Grey		8	6
605V	28389-4	2"	LB Threaded	Grey		2	5.5
<b>Boxed</b>							
606	71135-9	2-1/2"	LB Threaded	Grey		1	5
607	71140-3	3"	LB Threaded	Grey		1	5
608	71145-8	3-1/2"	LB Threaded	Grey		1	9.5
609	71150-2	4"	LB Threaded	Grey		1	8.5



**600V**

## CONDUIT BODIES – DIE CAST METAL

### Type LB – Set Screw Aluminum Conduit Bodies

For thinwall (EMT) conduit



**60V**

BWF#	Unit UPC 0-87115	Conduit Size	Type	Description	Color	Case Qty.	Case Weight
<b>Show Pak</b>							
60V	28350-4	1/2"	LB Set Screw	Grey	Grey	24	7
61V	28351-1	3/4"	LB Set Screw	Grey	Grey	18	7.5
62V	28352-8	1"	LB Set Screw	Grey	Grey	16	9
63V	28353-5	1-1/4"	LB Set Screw	Grey	Grey	8	5.5
64V	28354-2	1-1/2"	LB Set Screw	Grey	Grey	8	6
65V	28355-9	2"	LB Set Screw	Grey	Grey	2	5.5
<b>Boxed</b>							
66	71735-1	2-1/2"	LB Set Screw	Grey	Grey	1	4.5
67	71740-5	3"	LB Set Screw	Grey	Grey	1	5
68	71745-0	3-1/2"	LB Set Screw	Grey	Grey	1	9.5
69	71750-4	4"	LB Set Screw	Grey	Grey	1	8.5

### Type T – Combo both Threaded and Set Screw Aluminum Conduit Bodies

For rigid or thinwall (EMT) conduit



**D700V**

BWF#	Unit UPC 0-87115	Conduit Size	Type	Description	Color	Case Qty.	Case Weight
<b>Show Pak</b>							
D700V	19543-2	1/2"	T Threaded	Grey	Grey	16	5
D701V	19544-6	3/4"	T Threaded	Grey	Grey	12	5.5
D702V	19546-3	1"	T Threaded	Grey	Grey	14	9
D703V	19547-0	1-1/4"	T Threaded	Grey	Grey	4	7.5
D704V	19548-7	1-1/2"	T Threaded	Grey	Grey	4	6.5
D705V	19549-4	2"	T Threaded	Grey	Grey	2	5.5

### Type T – Threaded Aluminum Conduit Bodies

For rigid conduit



**700V**

BWF#	Unit UPC 0-87115	Conduit Size	Type	Description	Color	Case Qty.	Case Weight
<b>Show Pak</b>							
700V	28390-0	1/2"	T Threaded	Grey	Grey	16	5
701V	28391-7	3/4"	T Threaded	Grey	Grey	14	5.5
702V	28392-4	1"	T Threaded	Grey	Grey	12	9
703V	28393-1	1-1/4"	T Threaded	Grey	Grey	4	7.5
704V	28394-8	1-1/2"	T Threaded	Grey	Grey	4	6.5
705V	28395-8	2"	T Threaded	Grey	Grey	2	5.5
<b>Boxed</b>							
706	71635-4	2-1/2"	T Threaded	Grey	Grey	1	5.5
707	71640-8	3"	T Threaded	Grey	Grey	1	6.5
708	71645-3	3-1/2"	T Threaded	Grey	Grey	1	10
709	71650-7	4"	T Threaded	Grey	Grey	1	9

Type T – Set Screw Aluminum Conduit Bodies

For thinwall (EMT) conduit

BWF#	Unit UPC 0-87115	Conduit Size	Type	Description	Color	Case Qty.	Case Weight
<b>Show Pak</b>							
70V	28360-3	1/2"	T Set Screw		Grey	16	5
71V	28361-0	3/4"	T Set Screw		Grey	14	5.5
72V	28362-7	1"	T Set Screw		Grey	12	9
73V	28363-4	1-1/4"	T Set Screw		Grey	4	7.5
74V	28364-1	1-1/2"	T Set Screw		Grey	4	6.5
75V	28365-8	2"	T Set Screw		Grey	2	5.5
<b>Boxed</b>							
76	19558-6	2-1/2"	T Set Screw		Grey	1	5.5
77	19559-3	3"	T Set Screw		Grey	1	6.5
78	19560-9	3-1/2"	T Set Screw		Grey	1	10
79	19561-6	4"	T Set Screw		Grey	1	9



70V

## CONDUIT BODY COVERS – STAMPED & DIE CAST METAL

### Stamped Aluminum Conduit Body Covers

Screws included



**SC-1V**



**DC-1V**

BWF#	Unit UPC 0-87115	Conduit Size	Type	Description	Color	Case Qty.	Case Weight
<b>Show Pak</b>							
SC-1V	31161-0	1/2"	Stamped		Grey	100	5.5
SC-2V	31162-7	3/4"	Stamped		Grey	100	7
SC-3V	31163-4	1"	Stamped		Grey	50	8
SC-4V	31164-1	1-1/4" - 1-1/2"	Stamped		Grey	50	8.5
SC-5V	31165-8	2"	Stamped		Grey	25	7
<b>Boxed</b>							
SC-1	73105-0	1/2"	Stamped		Grey	250	14.5
SC-2	73110-4	3/4"	Stamped		Grey	250	18.5
SC-3	73115-9	1"	Stamped		Grey	250	23
SC-4	73120-3	1-1/4" - 1-1/2"	Stamped		Grey	50	8.5
SC-5	73130-2	2"	Stamped		Grey	75	21
<b>Show Pak</b>							
DC-1V	28497-6	1/2"	Die Cast		Grey	100	7
DC-2V	28498-3	3/4"	Die Cast		Grey	50	4.5
DC-3V	28499-0	1"	Die Cast		Grey	50	6
DC-4V	28500-3	1-1/4" - 1-1/2"	Die Cast		Grey	50	8.5
DC-5V	31150-4	2"	Die Cast		Grey	25	10
<b>Boxed</b>							
DC-1	72805-0	1/2"	Die Cast		Grey	250	15
DC-2	72810-4	3/4"	Die Cast		Grey	250	30
DC-3	72815-9	1"	Die Cast		Grey	250	37
DC-4	72820-3	1-1/4" - 1-1/2"	Die Cast		Grey	50	13
DC-5	72825-8	2"	Die Cast		Grey	75	34
DC-6	72835-7	2-1/2" - 3"	Die Cast		Grey	10	8
DC-7	72840-1	3-1/2" - 4"	Die Cast		Grey	5	7



## Standard Conduit Body Gaskets – Fiber & Neoprene

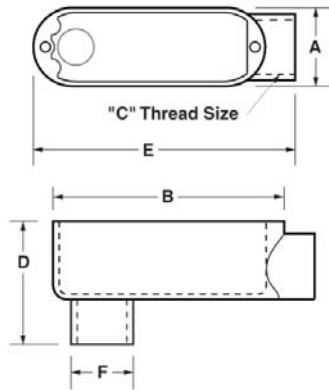
BWF#	Unit UPC 0-87115	Conduit Size	Type	Description	Color	Case Qty.	Case Weight
<b>Show Pak</b>							
FG-1V	31151-1	1/2"	Fiber		Grey	500	3
FG-2V	31152-8	3/4"	Fiber		Grey	500	4
FG-3V	31153-5	1"	Fiber		Grey	500	5
FG-4V	31154-2	1-1/4" – 1-1/2"	Fiber		Grey	200	6
FG-5V	31155-9	2"	Fiber		Grey	100	4
<b>Boxed</b>							
FG-1	25007-0	1/2"	Fiber		Grey	2500	14
FG-2	28409-9	3/4"	Fiber		Grey	1000	8
FG-3	28410-5	1"	Fiber		Grey	500	7
FG-4	28411-2	1-1/4" – 1-1/2"	Fiber		Grey	500	9.5
FG-5	28413-6	2"	Fiber		Grey	125	6
FG-6	28414-3	2-1/2" – 3"	Fiber		Grey	50	4
FG-7	25016-2	3-1/2" – 4"	Fiber		Grey	10	1
<b>Show Pak</b>							
NG-1V	31156-6	1/2"	Neoprene		Grey	500	9
NG-2V	31157-3	3/4"	Neoprene		Grey	500	10
NG-3V	31158-0	1"	Neoprene		Grey	500	13
NG-4V	31159-7	1-1/4" – 1-1/2"	Neoprene		Grey	200	11.5
NG-5V	31160-3	2"	Neoprene		Grey	100	8.5
<b>Boxed</b>							
NG-1	33627-9	1/2"	Neoprene		Grey	2500	27
NG-2	33628-6	3/4"	Neoprene		Grey	1000	13
NG-3	33629-3	1"	Neoprene		Grey	500	11
NG-4	33626-2	1-1/4" – 1-1/2"	Neoprene		Grey	500	19.5
NG-5	33630-9	2"	Neoprene		Grey	125	11
NG-6	33631-6	2-1/2" – 3"	Neoprene		Grey	50	9
NG-7	33632-3	3-1/2" – 4"	Neoprene		Grey	10	2



**FG-1V**

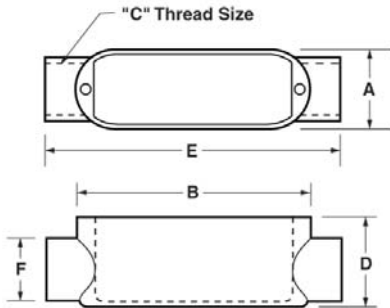


**NG-1V**



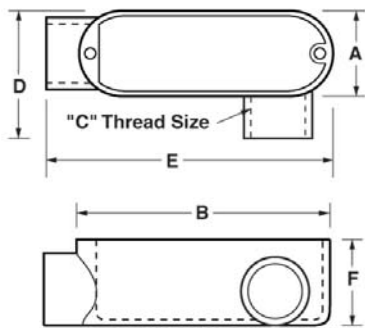
### Type LB Dimensions - Threaded & Set Screw

Conduit Size	A	B	C	D	E	F
1/2"	1-11/32"	15-7/64"	1/2"	2-11/64"	4-13/32"	1-5/32"
3/4"	1-35/64"	4-49/64"	3/4"	2-7/16"	5-1/8"	1-3/8"
1"	1-3/4"	5-3/8"	1"	2-3/4"	5-15/16"	1-23/32"
1-1/4"	2-35/64"	7-15/64"	1-1/4"	3-35/64"	7-7/8"	2-15/64"
1-1/2"	2-19/32"	7-17/64"	1-1/2"	3-23/32"	7-7/8"	2-3/8"
2"	3-13/64"	9-33/64"	2"	4-1/4"	10-15/64"	2-29/32"
2-1/2"	4-1/2"	12-3/16"	2-1/2"	5-5/32"	12-3/4"	3-13/32"
3"	4-15/32"	12-17/64"	3"	5-21/32"	12-43/64"	4-1/64"
3-1/2"	5-39/64"	5-1/32"	3-1/2"	6-61/64"	15-35/64"	5-5/32"
4"	5-39/64"	15-1/32"	4"	6-61/64"	15-35/64"	5-5/32"



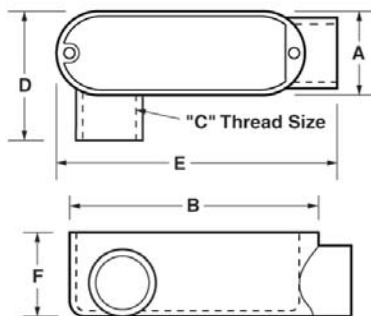
### Type LB Dimensions - Threaded & Set Screw

Conduit Size	A	B	C	D	E	F
1/2"	1-5/16"	3-27/32"	1/2"	1-1/2"	4-27/32"	1-1/8"
3/4"	1-17/32"	4-19/32"	3/4"	1-5/8"	5-41/64"	1-5/16"
1"	1-3/4"	5-11/32"	1"	1-29/32"	6-1/2"	1-1/2"
1-1/4"	2-17/32"	7-1/4"	1-1/4"	2-3/4"	8-1/2"	2-1/4"
1-1/2"	2-17/32"	7-1/4"	1-1/2"	2-3/4"	8-1/2"	2-1/4"
2"	2-7/32"	9-7/16"	2"	3-13/32"	10-3/4"	2-3/4"
2-1/2"	4-1/2"	12-1/4"	2-1/2"	4-1/2"	13"	4-1/2"
3"	4-1/2"	12-1/4"	3"	4-1/2"	13"	4-1/2"
3-1/2"	5-1/2"	15"	3-1/2"	5-9/16"	16-5/16"	5-1/2"
4"	5-1/2"	15"	4"	5-9/16"	16-5/16"	5-1/2"



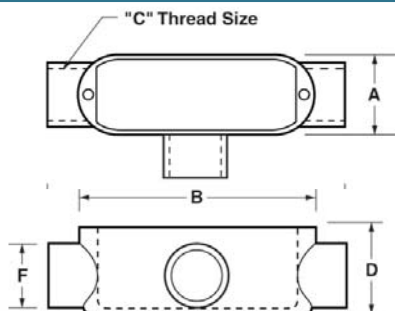
### Type LL Dimensions - Threaded & Set Screw

Conduit Size	A	B	C	D	E	F
1/2"	1-3/32"	3-7/8"	1/2"	2"	4-9/32"	1-13/32"
3/4"	1-1/4"	4-21/32"	3/4"	2-11/32"	5-1/8"	1-13/32"
1"	1-1/2"	5-23/64"	1"	2-1/2"	5-59/64"	1-7/8"
1-1/4"	2-1/4"	7-17/64"	1-1/4"	3-13/32"	7-55/64"	2-7/8"
1-1/2"	2-1/4"	7-17/64"	1-1/2"	3-13/32"	7-55/64"	2-7/8"
2"	2-3/4"	9-15/32"	2"	3-27/32"	10-13/64"	3-27/64"
2-1/2"	4-5/8"	12-1/4"	2-1/2"	5-3/4"	13"	4-1/2"
3"	4-5/8"	12-1/4"	3"	5-3/4"	13"	4-1/2"
3-1/2"	5-7/16"	15"	3-1/2"	6-1/8"	16-5/16"	5-9/16"
4"	5-7/16"	15"	4"	6-1/8"	16-5/16"	5-9/16"



### Type LR Dimensions - Threaded & Set Screw

Conduit Size	A	B	C	D	E	F
1/2"	1-7/64"	3-7/8"	1/2"	2"	4-9/32"	1-13/32"
3/4"	1-1/4"	4-21/32"	3/4"	2-11/32"	5-1/8"	1-41/64"
1"	1-1/2"	5-23/64"	1"	2-1/2"	5-59/64"	1-7/8"
1-1/4"	2-1/4"	7-17/64"	1-1/4"	3-13/32"	7-55/64"	2-7/8"
1-1/2"	2-1/4"	7-17/64"	1-1/2"	3-13/32"	7-55/64"	2-7/8"
2"	2-3/4"	9-15/32"	2"	3-27/32"	10-13/64"	3-27/64"
2-1/2"	4-7/16"	12-1/4"	2-1/2"	5-13/16"	12-1/4"	4-1/2"
3"	4-5/8"	12-1/4"	3"	5-13/16"	12-1/4"	4-1/2"
3-1/2"	5-7/16"	15"	3-1/2"	6-1/8"	15"	6-1/4"
4"	5-7/16"	15"	4"	6-1/8"	15"	6-1/4"



### Type T Dimensions - Threaded & Set Screw

Conduit Size	A	B	C	D	E	F
1/2"	1-5/16"	3-27/32"	1.2"	1-3.8"	4-27.32"	2-1.16"
3/4"	1-17.16"	4-39.64"	3.4"	1-41.64"	5-19.32"	2-11.32"
1"	1-25.32"	5-3.8"	1"	1-29.32"	6-1.2"	2-19.32"
1-1/4"	2-1.2"	7-1.4"	1-1.4"	2-3.4"	8-1.2"	3-35.64"
1-1/2"	2-1.2"	7-1.4"	1-1.2"	2-3.4"	8-1.2"	3-35.64"
2"	3-1.4"	9-7.16"	2"	3-27.64"	10-13.16"	4-3.64"
2-1/2"	4-1.2"	12-1.4"	2-1.2"	4-1.2"	13"	5-25.32"
3"	4-1.2"	12-1.4"	3"	4-1.2"	13"	5-25.32"
3-1/2"	5-1/2"	15"	3-1/2"	5-9/16"	16-5/16"	6-13/16"
4"	5-1/2"	15"	4"	5-9/16"	16-5/16"	6-13/16"

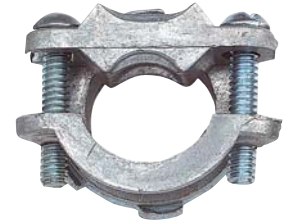
## SERVICE ENTRANCE HEADS & ELECTRICAL FITTINGS

### Service Entrance Heads – Clamp Types

BWF#	Unit UPC 0-87115	Pipe Size	Type	Description	Color	Case Qty.	Case Weight
<b>Show Pak</b>							
180V	75905-4	1/2"	Clamp		Grey	25	12
181V	75910-8	3/4"	Clamp		Grey	20	11.5
182V	75915-3	1"	Clamp		Grey	20	8
183V	75920-7	1-1/4"	Clamp		Grey	10	5.5
184V	75925-2	1-1/2"	Clamp		Grey	8	7
185V	75930-6	2"	Clamp		Grey	3	5
<b>Boxed</b>							
1866	70935-6	2-1/2"	Clamp		Grey	1	4.5
2877	70932-5	3"	Clamp		Grey	1	7
2888	70945-5	3-1/2"	Clamp		Grey	1	6.5
2899	70950-9	4"	Clamp		Grey	1	6.5



**180V**



**270**



**271**

### Service Entrance Cable Fittings

BWF#	Unit UPC 0-87115	Pipe Size	Type	Description	Color	Case Qty.	Case Weight
<b>Boxed</b>							
270	70005-6	3/4"	Clamp		Grey	250	32
271	70010-0	1"	Clamp		Grey	200	35
372	70015-5	1-1/4"	Clamp		Grey	150	44
373	70020-9	1-1/2"	Clamp		Grey	100	31.5
374	70025-4	2"	Clamp		Grey	100	44.5

### 90° Angle Connectors

BWF#	Unit UPC 0-87115	Pipe Size	Type	Description	Color	Case Qty.	Case Weight
<b>Boxed</b>							
265	70105-3	3/8"	90°		Grey	250	31.5
268	70110-7	1/2"	90°		Grey	200	39.5
269	70115-2	3/4"	90°		Grey	150	46.5
360	70120-6	1"	90°		Grey	75	40
361	70125-1	1-1/4"	90°		Grey	50	37.5
362	70126-8	1-1/2"	90°		Grey	10	10
363	70127-5	2"	90°		Grey	5	5.5



**360**

### EMT Connectors – Set Screw Type

BWF#	Unit UPC 0-87115	Pipe Size	Type	Description	Color	Case Qty.	Case Weight
<b>Boxed</b>							
233	70202-9	1-1/4"	Set Screw		Grey	35	6.5
234	70203-6	1-1/2"	Set Screw		Grey	35	8
235	70204-3	2"	Set Screw		Grey	20	9
236	70205-0	2-1/2"	Set Screw		Grey	12	10
237	70210-4	3"	Set Screw		Grey	12	13
238	70215-9	3-1/2"	Set Screw		Grey	10	7.5
239	70220-3	4"	Set Screw		Grey	6	9.5



**236**

## ELECTRICAL FITTINGS

### EMT Couplings – Set Screw Type

Set screws included



**246**

BWF#	Unit UPC 0-87115	Pipe Size	Type	Description	Color	Case Qty.	Case Weight
<b>Show Pak</b>							
243	70302-6	1-1/4"	Set Screw	Grey		25	6.5
244	70303-3	1-1/2"	Set Screw	Grey		25	7.5
245	70304-0	2"	Set Screw	Grey		20	8
246	70305-7	2-1/2"	Set Screw	Grey		12	12
247	70310-1	3"	Set Screw	Grey		12	12.5
248	70315-6	3-1/2"	Set Screw	Grey		6	8
249	70320-0	4"	Set Screw	Grey		6	9



**171**

### Insulated Bushing

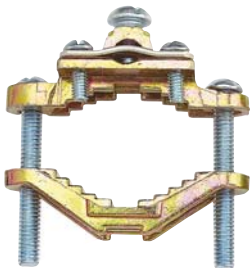
BWF#	Unit UPC 0-87115	Pipe Size	Type	Description	Color	Case Qty.	Case Weight
<b>Boxed</b>							
171	09003-4	1/2"	Insulated	Grey		1000	6.5
172	70710-9	3/4"	Insulated	Grey		1000	8
173	70715-4	1"	Insulated	Grey		500	7.5
174	70720-8	1-1/4"	Insulated	Grey		250	6
175	70725-3	1-1/2"	Insulated	Grey		250	6.5
176	70730-7	2"	Insulated	Grey		125	5
177	70735-2	2-1/2"	Insulated	Grey		100	6.5
178	70740-6	3"	Insulated	Grey		50	5
179	70745-1	3-1/2"	Insulated	Grey		50	6
170	70750-5	4"	Insulated	Grey		50	6



**131**

### Steel Lock Nuts

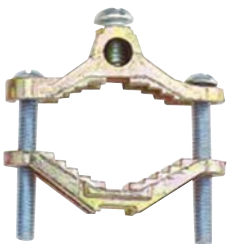
BWF#	Unit UPC 0-87115	Pipe Size	Type	Description	Color	Case Qty.	Case Weight
<b>Boxed</b>							
131	70805-2	3/8"	Steel	Grey		2500	44
132	70810-6	1/2"	Steel	Grey		2500	33.5
133	70815-1	3/4"	Steel	Grey		2500	48
134	70820-5	1"	Steel	Grey		1000	33.5
149	70825-0	1-1/4"	Steel	Grey		500	27
150	70830-4	1-1/2"	Steel	Grey		500	26.5
151	70835-9	2"	Steel	Grey		400	29
152	70840-3	2-1/2"	Steel	Grey		300	39.5
153	70845-8	3"	Steel	Grey		250	44.5
154	70850-2	3-1/2"	Steel	Grey		125	27.5
155	70855-7	4"	Steel	Grey		100	27.5
156	70860-1	5"	Steel	Grey		30	23.5
157	70865-6	6"	Steel	Grey		30	26.5



**L-163**

### Ground Fittings

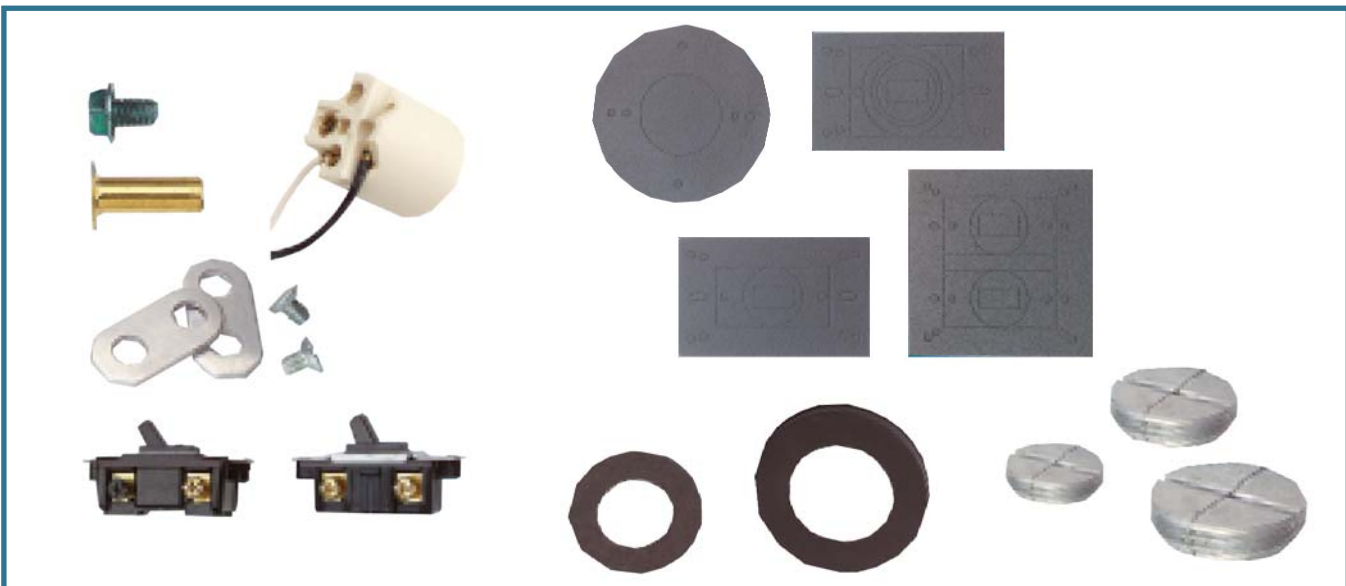
BWF#	Unit UPC 0-87115	Pipe Size	Type	Description	Color	Case Qty.	Case Weight
<b>Boxed</b>							
L-162C	73205-7	1/2" - 1-1/4"	#4 -#10 AWG	Zinc		250	43
L-162-B	73210-1	1/2" - 1-1/4"	Grounding wire	Brass		250	43
L-163C	73215-6	1/2" - 1-1/4"	#4 -#8 AWG	Zinc		250	50
L-163B	73220-0	1/2" - 1-1/4"	Bare amored wire	Brass		250	50



**L-162**

## REPLACEMENT PARTS &amp; ACCESSORIES

BWF#	Unit UPC 0-87115	Description	Color	Case Qty.	Case Weight
<b>Boxed</b>					
GS	37015-0	Self Tap. GRD Screw, #8-32, 1/4"	Green	100	.52
SP	37017-4	Spacers for TS-1 & TS-2 covers	Black	100	2
ML	21020-3	2 Mounting Lugs w/screws	Grey	100	1
RS	30030-0	Porcelain Replacement Socket	Grey	25	3
S11	33593-7	Single Pole 10A/125V Switch	Black	50	15
S13	37030-3	Three Way 10A/125V Switch	Black	50	15
S15	37031-0	Single Pole 20A-120V/277V	Black	50	15
<b>Show Pak</b>					
GV	31166-5	2 pk of Internal Lampholder Gasket	Black	600	2
G-1V	41300-0	External Lampholder Gasket	Black	50	3
UBGV	37020-4	Universal 1 Gang Gasket	Black	50pks	2
RGV	37040-2	Unviersal Round Gasket	Black	50pks	1
BGV	27229-4	1 Gang Gasket, Single & Duplex Cvrs	Black	50pks	1
TGBGV	27230-0	Universal 2 Gang Gasket	Black	50pks	1
GP-6V	30540-4	Gasket Pack, Poly Bagged	Black	20	2
PL-5/4V	05400-5	4 – 1/2" Closure Plugs	Grey	75pks	6
PL-5/4AV	05403-6	4 – 1/2" Closure Plugs	Bronze	75pks	6
PL-5/4WV	05402-9	4 – 1/2" Closure Plugs	White	75pks	6
PL-75/4V	21012-8	4 – 3/4" Closure Plugs	Grey	50/pks	6
PL-75/4AV	27220-1	4 – 3/4" Closure Plugs	Bronze	50/pks	6
PL-75/4WV	27221-8	4 – 3/4" Closure Plugs	White	50/pks	6
PL/75/4BV	27222-5	4 – 3/4" Closure Plugs	Black	50/pks	6
PL/10/4V	27223-2	4 – 1" Closure Plugs	Grey	50/pks	9
PL/10/4AV	27224-9	4 – 1" Closure Plugs	Bronze	50/pks	9
PL/10/4WV	27225-6	4 – 1" Closure Plugs	White	50/pks	9
PL/10/4BV	27226-3	4 – 1" Closure Plugs	Black	50/pks	9
<b>Blister Carded</b>					
50AP-1	05012-0	3 – 1/2" Plugs, 2 Wire Nuts	Grey	12	1
50APAB-1	05016-8	3 – 1/2" Plugs, 2 Wire Nuts	Bronze	12	1
50APW-1	50195-0	3 – 1/2" Plugs, 2 Wire Nuts	White	12	1
75AP-1	07512-3	3 – 3/4" Plugs, 2 Wire Nuts	Grey	12	1.5
75APAB-1	07516-1	3 – 3/4" Plugs, 2 Wire Nuts	Bronze	12	1.5
75APW-1	50200-1	3 – 3/4" Plugs, 2 Wire Nuts	White	12	1.5
75APB-1	07515-4	3 – 3/4" Plugs, 2 Wire Nuts	Black	12	1.5



# NOTES





**TEDDICO**  
ELECTRICAL PRODUCTS



*A Leading Manufacturer of  
Weatherproof Electrical Products*

1104 Parkway View Drive  
Pittsburgh, PA 15205  
412-747-4970  
Fax: 412-747-4973