

TR Receptacles

Project Name:	Prepared By:
Project Number:	Date:
Catalog Number:	Type:



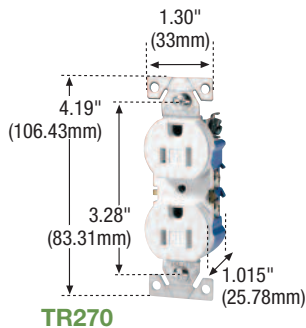
Tamper Resistant Receptacles

2-Pole, 3-Wire
15A 125V/AC
20A, 125V/AC

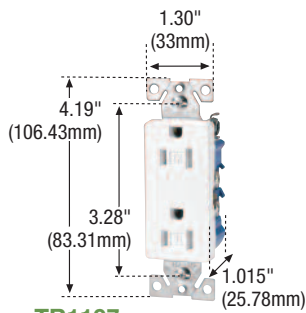
Single & Duplex Receptacles

FEATURES

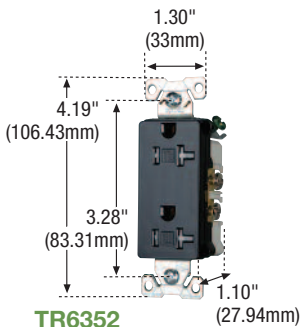
- Provides compliance with 2008 NEC® Article 406.11 that states that all receptacles installed in dwelling units must be tamper resistant.
- Durable impact-resistant thermoplastic face and back body is virtually unbreakable.
- “TR” designation provides visual identification.
- Terminal screws are backed out and ready to wire.
- Extra-long and extra-wide mounting straps.
- Patented built-in wire stripper for #14 and #12 wire (#12 and #10 TR817, TR877, 9508TR, 9507TR, TR6350, TR6350) to speed installation.
- Side-wire terminals accept up to #10 solid or stranded wire.
- Push-in terminals accept #14 solid wire (TR270, TR1107 & 9500TR duplex devices only).



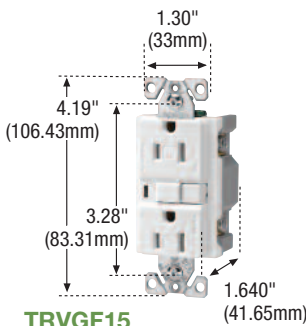
TR270



TR1107



TR6352



TRVGF15



5-15R 5-20R

TESTING & CODE COMPLIANCE

- cULus Listed to UL498, file nos. E60120 (TRVGF, 9566, 9569), E15058 (all others), except TR8200 & TR8300: Listed to UL498, file no. E140596.
- UL Certified to CSA C22.2, no. 42.
- TRVGF meets all UL943 and UL498 requirements.
- TRBR, TR8200/TR8300 UL verified to Fed. Spec. WC-596G.
- NOM/ANSI Certified.

MATERIAL CHARACTERISTICS

- Environmental: Flammability meets UL94 requirements; TR817, TR1877, TR6250, TR6252, TR6350, TR6352, 9566TR, 9569TR, TRBR, TRVGF, 9507TR, 9508TR, 9510TR V2 rated; TR270, TR1107, 9505TR V0 rated.
- Temperature Rating: TR270, TR1107, 9510TR: -20°C to 60°C (-4°F to 140°F); TR817, TR1877, TR6250, TR6252, TR6350, TR6352, TRBR, 9505TR, 9507TR, 9508TR; -20°C to 70°C (-4°F to 158°F); TRVGF, 9566TR, 9569TR: -35°C to 66°C (-31°F to 150.8°F); TR8200, TR8300 -40°C to 60°C (-40°F to 140°F).

Residential Grade, Single & Duplex



Rating: A/V	NEMA	Description	Catalog No.	Available Colors
15 125	5-15R	Duplex Receptacle	<input type="checkbox"/> TR270__	A, B, BK, LA, V, W
		Duplex Receptacle, Auto Grounding	<input type="checkbox"/> TR270-9__	A, B, LA, V, W
		Decorator Duplex Receptacle	<input type="checkbox"/> TR1107__	A, B, GY, LA, V, W
		Decorator Duplex Receptacle, Auto Grounding	<input type="checkbox"/> TR1107-9__	A, BK, LA, V, W
		ASPIRE™ Duplex Receptacle	<input type="checkbox"/> 9505TR__	DS, SG, WS
		ASPIRE™ Single Receptacle	<input type="checkbox"/> 9507TR__	DS, SG, WS
20 125	5-20R	ASPIRE™ Single Receptacle	<input type="checkbox"/> 9508TR__	DS, SG, WS
		ASPIRE™ Duplex Receptacle	<input type="checkbox"/> 9510TR__	DS, SG, WS

Commercial Grade, Single & Duplex



Rating: A/V	NEMA	Description	Catalog No.	Available Colors
15 125	5-15R	Single Receptacle	<input type="checkbox"/> TR817__	A, B, BK, GY, LA, V, W
		Duplex Receptacle*	<input type="checkbox"/> TRBR15__	A, B, BK, GY, LA, V, W
		Decorator Single Receptacle	<input type="checkbox"/> TR6250__	A, B, BK, GY, LA, V, W
		Decorator Duplex Receptacle	<input type="checkbox"/> TR6252__	A, B, BK, GY, LA, V, W
20 125	5-20R	Single Receptacle	<input type="checkbox"/> TR1877__	A, B, BK, LA, V, W
		Duplex Receptacle*	<input type="checkbox"/> TRBR20__	A, B, BK, GY, LA, RD, V, W
		Decorator Single Receptacle	<input type="checkbox"/> TR6350__	A, B, BK, GY, LA, V, W
		Decorator Duplex Receptacle	<input type="checkbox"/> TR6352__	A, B, BK, GY, LA, V, W

Specification Grade Duplex



Rating: A/V	NEMA	Description	Catalog No.	Available Colors
15 125	5-15R	Duplex GFCI	<input type="checkbox"/> TRVGF15__	A, B, BK, GY, LA, V, W
		ASPIRE Duplex GFCI	<input type="checkbox"/> 9566TR__	DS, SG, WS
		Hospital Grade Duplex Receptacle*	<input type="checkbox"/> TR8200__	B, GY, RD, V, W
		Tamper Resistant Hospital Grade GFCI	<input type="checkbox"/> TRVGFH15__	B, GY, V, LA, RD, W
20 125	5-20R	Duplex GFCI	<input type="checkbox"/> TRVGF20__	A, B, BK, GY, LA, V, W
		ASPIRE Duplex GFCI	<input type="checkbox"/> 9569TR__	DS, SG, WS
		Hospital Grade Duplex Receptacle*	<input type="checkbox"/> TR8300__	B, GY, RD, V, W
		Tamper Resistant Hospital Grade GFCI	<input type="checkbox"/> TRVGFH20__	B, GY, V, LA, RD, W

For ordering, include Cat. No. followed by the color code: A (Almond), B (Brown), BK (Black), GY (Gray), LA (Light Almond), RD (Red), V (Ivory), W (White), DS (Desert Sand), SG (Silver Granite), WS (White Satin)