

Commercial Specification Grade Straight Blade Power Devices

2-Pole, 3-Wire Grounding
NEMA TT-30, 5-30
30A 125V



Power Devices

FEATURES

- Heavy gauge galvanized steel mounting strap for corrosion resistance.
- Receptacles for use with copper or aluminum wire.
- Surface receptacles have patented lay-in terminals and accept up to #4 wire.
- Universal plugs include blades for 30A or 50A configurations.
- Surface receptacles 0.75" (19.05mm) and 1.0" (25.4mm) concentric knockouts and adjustable cord clamp allow for wiring from bottom or back.
- Flush receptacles fit one or two gang enclosures.
- High strength glass reinforced nylon body resists breakage in high abuse areas for Catalog No. 5716N.

NEMA TT-30 Rating 30A 125V

Receptacles

| Description | Color | Catalog No. |
|-------------|-------|-------------|
| Flush | Black | 1263* |
| Panel Mount | Black | U1263* |

*Not NOM

Plug

| Description | Cord Diameter | Color | Catalog No. |
|-------------------------------|-----------------------|-------|-------------|
| Angle Travel Trailer Phenolic | 0.635" max. (16.13mm) | Black | 83 |

Adapter

| Description | Color | Catalog No. |
|--|-------|-------------|
| Travel Trailer Plug to Female Receptacle - 15A or 20A 125V NEMA 5-15R or 5-20R | Black | 1264† |

†Not CSA approved

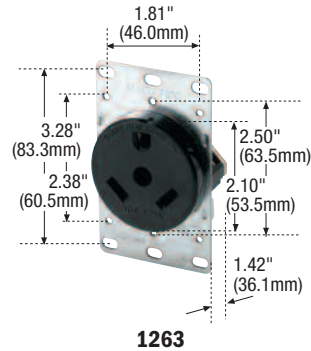
NEMA 5-30 Rating 30A 125V

Receptacles

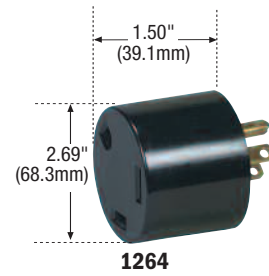
| Description | Color | Catalog No. |
|-------------|-------|-------------|
| Flush | Black | 5716N |
| Flush | Brown | 1233 |

Plug

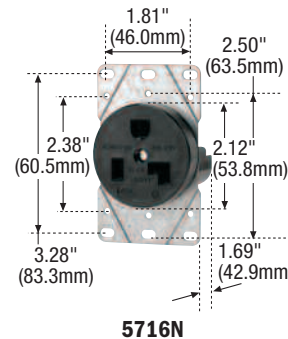
| Description | Cord Diameter | Color | Catalog No. |
|-----------------------|----------------------|-------|-------------|
| Angle Universal - PVC | 1.10" max. (27.94mm) | Black | S41 |



1263



1264



5716N

G-22 Straight Blade Receptacles

TESTING & CODE COMPLIANCE

- For 1263, 1233: UL Listed, file no. E15058. CSA file 6914 (6233-01).
- Plugs: UL Listed, file no. E15012. CSA file no. LR2081 (6221-02).
- For 5716N: UL Listed to 498, meets UL Federal Spec. WC-596 (file no. E2369).
- CSA Certified to C22.2 no. 42.
- NOM Certified, except as noted.

MATERIAL CHARACTERISTICS

Plugs & Receptacles: PVC, except 1263 & 1264: Phenolic.
 Temperature Rating: -20°C (without impact) to 75°C max. continuous, except 5716N: V2 rated; -40°C (without impact) to 105°C max. continuous.

Wallplate Guide for Power Devices

| Power Device Catalog No. | Wallplate Catalog No. |
|--------------------------|--|
| 1233, 1263, 5716N | 39CH, 68, 2068, 2168, 93221, 93227, 5068, PJ724, PJ703 |

