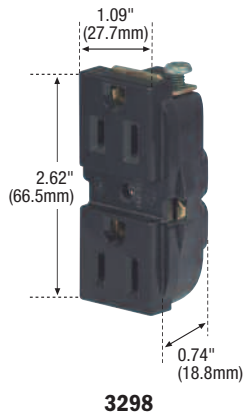




Standard Grade Straight Blade Receptacles

2-Pole, 3-Wire Grounding
15A 125V
2-Pole, 2-Wire
15A 125V

G-17 Straight Blade Receptacles



Standard Grade Duplex Receptacles

FEATURES

- Double wipe ground contacts to ensure long-term ground retention.
- Easy access split circuit break-off tab.
- Push-in terminals (8) accept #14 solid copper wire.
- Combination slot/Phillips head mounting and ground screws ease installation.

Square Face - Less Strap - Push Wire

Rating A	V	NEMA	Color	Catalog No.
15	125	5-15R	Black	3298BK

Standard Grade Duplex Receptacles

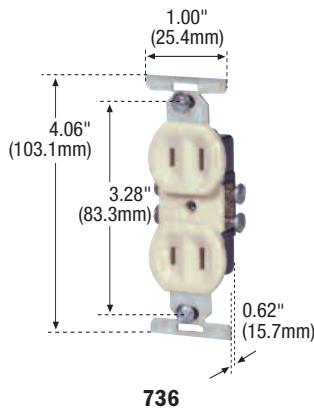
FEATURES

- Side wire terminals accept up to #12 wire.
- Terminal screws backed out – ready for wiring.

Side Wire

Rating A	V	NEMA	Description	Color	Catalog No.
15	125	1-15R	Double Wipe Contacts	Brown	736B*
				Ivory	736V*
				White	736W*

*Not CSA



TESTING & CODE COMPLIANCE

· For 3298: Listed to UL 498 (file no. E15058). CSA (file no. 6914 (6233-01)). Meets all CSA requirements, C22.2 no. 42. NOM certified.
· For 736: UL Listed to 498 (file no. E15058), NOM certified.

MATERIAL CHARACTERISTICS

For 3298: Meets flammability requirements per UL 94, VO rated. Temperature Rating: -40°C to 65°C.
For 736: Meets flammability requirements per UL 94, VO rated. Temperature Rating: -40°C to 65°C.

