



# Commercial Specification Grade Straight Blade Receptacles

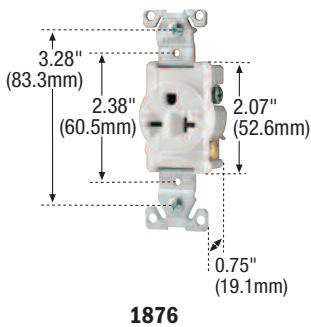
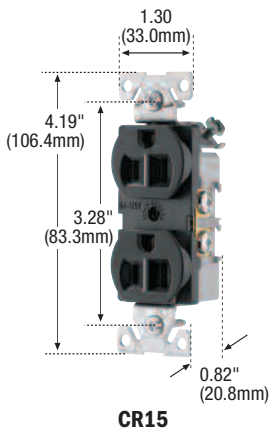
**2-Pole, 3-Wire Grounding**  
**15A 250V, 15A 250V**  
**20A 125V, 20A 250V**

## Duplex and Single Receptacles

### FEATURES

- Sturdy, compact design meets the demands of commercial spec grade performance.
- Excellent plug blade retention provided by 0.030" (0.76mm) triple-wipe brass line contacts and 0.030" (0.76mm) brass ground.
- High impact and chemical-resistant nylon face.
- 0.050" (1.27mm) galvanized steel, wrap-around yoke mounting strap for superior assembly security; extra length/width helps reach large panel cutouts for Code Compliance.
- Automatic grounding system eliminates need for bonding jumper in grounded metal enclosure, provides redundant measure of ground continuity where jumper used.
- Screw-Catch™ feature on duplex devices speeds mounting of wallplates.

## G-13 Straight Blade Receptacles



### Side Wire

Rating		NEMA	Colors	Catalog No.	
A	V			Duplex	Single†
15	125	5-15R	Almond	CR15A	817A
			Black	CR15BK	817BK
			Brown	CR15B	817B
			Gray	CR15GY	—
			Ivory	CR15V	817V
			Light Almond	CR15LA	817LA
15	250	6-15R	Black	—	816BK
			Brown	826B	816B
			Ivory	826V	816V
			White	826W	816W
20	125	5-20R	Almond	CR20A	1877A
			Black	CR20BK	1877BK
			Brown	CR20B	1877B
			Gray	CR20GY	-
			Ivory	CR20V	1877V
			Light Almond	CR20LA	1877LA
20	250	6-20R	Almond	—	1876A
			Black	—	1876BK
			Brown	815B	1876B
			Ivory	815V	1876V
			Light Almond	—	1876LA
			White	815W	1876W

† Single receptacles meet all UL & CSA specifications, but differ in design and construction from duplexes noted above.

### TESTING & CODE COMPLIANCE

- Listed to UL 498 (file nos. E2369 & E15058).
- CSA Certified to C22.2 no. 42, (file nos. LR7087 & 6914 (6233-01)).
- NOM Certified.

### MATERIAL CHARACTERISTICS

Environmental:  
 Flammability per UL 94 requirements, V2 rated.  
 Temperature Rating:  
 -20°C to 60°C.



5-15R



6-15R



5-20R



6-20R