



# DECO digital®

Powered By:  
**NICHIA**

## D402-LED

### Medium Wall Pack

Digitize your light.™

#### Job Information

Type:	
Catalog #:	
Project:	
Comments:	
Prepared by:	



#### Description

The D402-LED medium wall pack provides a durable and efficient exterior light source for any application with maximum performance and minimum maintenance.

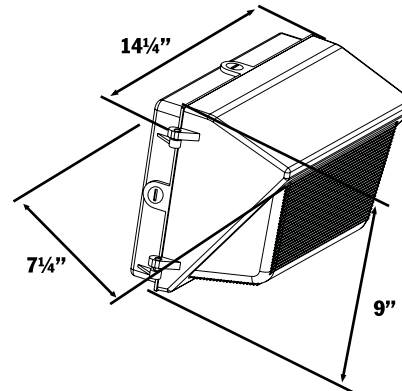
#### D402-LED



#### Features

- Standard color is bronze; also available in black and white. Contact factory for custom finishes.
- Heavy duty two piece die cast aluminium housing is top hinged for ease of maintenance.
- Two captive stainless steel door fasteners.
- .5" threaded conduit entry with coin plug.
- Clear prismatic borosilicate glass reflector is thermal/shock resistant.
- Computer designed and precision formed specular aluminium reflector.
- Lightweight back plate is easily attached to wall.
- UL 1598 listed for wet locations.
- Dark bronze polyester powder finish for excellent impact, corrosion and UV resistance.
- Approx. Weight: 10 lbs.

#### Dimensions



#### Ordering Information:

Example: (D402-LED-40-30-UNV-BZ-WDF)



Stock configurations are offered for shorter lead times.  
D402-LED2050UNVBZ  
D402-LED3050UNVBZ  
D402-LED4050UNVBZ

D402-LED

Series	Wattage/Lumen	Color Temp.	Voltage	Finish	Option
Medium Wall Pack	20 20W/2560 <sup>3</sup>	30 3000K	UNV 120-277V	BZ Bronze <sup>1</sup>	PC Photocell
	30 30W/3840 <sup>3</sup>	35 3500K	347 347V	BL Black	WSF Wired Single Fuse
	40 40W/5120 <sup>3,5</sup>	40 4000K	480 480V	WH White	WDF Wired Double Fuse
	60 60W/7680 <sup>3,5</sup>	50 5000K <sup>4,5</sup>	(Step-Down Transformer used for 480V Divider)	CU Custom <sup>2</sup>	EM Emergency Ballast
					FC Full Cutoff Visor <sup>6</sup>
					WG Wire Guard
					SC Side Cutoff
					VR Polycarbonate Vandal Resistant Guard

<sup>1</sup> Standard for fixture  
<sup>2</sup> Contact factory for custom finish  
<sup>3</sup> Initial Delivered Lumens  
<sup>4</sup> Standard Color Temp.  
<sup>5</sup> With Optics  
<sup>6</sup> DLC Listed



Digitize your light.™

©2015 Deco Lighting, www.getdeco.com T: (800) 613-DECO F: (310) 366-6855  
Note : Specifications subject to change without notice. Rev Date: 2/17/15 #5

LED Lighting

DECO®

LIGHTING



DECO digital®

Powered By: NICHIA

D402-LED

Medium Wall Pack

Digitize your light.™

Job Information

Type:	
Catalog #:	
Project:	
Comments:	
Prepared by:	



Options



FC-Full Cutoff Visor  
\*Required for DLC



SC-Side Cutoff



VR- Polycarbonate  
Vandal Resistant Guard



WG- Wire Guard

Performance Data

CRI:	80+
CCT:	3000K, 3500K, 4000K, 5000K
Warranty:	10 yr. Limited Warranty
Dimming:	Available with 0-10V inputs dimming down to 10%
Operating Temperature:	0°-65°C Max Ambient
L70 Rating:	100,000+ Hours
IP Rating:	IP55
Driver Current:	700mA

Delivered Light Output and Equivalency Chart

HID to LED Replacement		
Initial Lumens Delivered	LED	HID Replacement
2540 lm	20W	100W
3810 lm	30W	150W
5080 lm	40W	175W
7620 lm	60W	250W

\*for mounting heights over 25ft consult factory.

LED Lighting

DECO®

LIGHTING



Digitize your light.™