

One Gang Weatherproof Outlet Boxes - Die Cast Metal

BWF PRODUCT BENEFITS & FEATURES

- Rugged, seamless, die-cast construction that prevents moisture entry.
- Reinforced connector outlets provide a secure mechanical installation.
- State of the art powder coat finish for maximum durability.
- Closure plugs, ground screw and mounting lugs included.
- Complete installation instructions included with each product.

COMPLIANCES

- UL Listed and CSA Certified



APPLICATIONS

- For use in branch circuit wiring in wet, damp or dry locations.
- May be used as a weatherproof junction box, or as a housing for receptacles, switches and GFCI's.

ONE GANG OUTLET BOX WITH 3 THREADED OUTLETS

4⁹/₁₆" x 2¹³/₁₆" x 2", closure plugs, ground screw and mounting lugs included



PACKAGE TYPE	BWF No.	Unit UPC 0-87115-	Unit Cubic	Description		Case QTY	Case WT	
				Outlets	Color			
SHOW PAK	B-5V	18021-6	18.3"	3 - 1/2"	Grey	20	11.6	
	B-5AV	18520-4	18.3"	3 - 1/2"	Bronze	20	11.6	
	B-5WV	18720-8	18.3"	3 - 1/2"	White	20	11.6	
	B-75V	18031-5	18.3"	3 - 3/4"	Grey	20	11.4	
	B-75AV	52886-5	18.3"	3 - 3/4"	Bronze	20	11.4	
	B-75WV	52885-8	18.3"	3 - 3/4"	White	20	11.4	
	B-100V	27100-6	18.3"	3 - 1"	Grey	20	11.2	
	BLISTER CARDED	1503	01503-7	97.3"	3 - 1/2"	Grey	6	3.9
		1503AB	18523-5	97.3"	3 - 1/2"	Bronze	6	3.9
1503W		50000-7	97.3"	3 - 1/2"	White	6	3.9	
1753		01753-6	97.3"	3 - 3/4"	Grey	6	3.9	
1753AB		18533-4	97.3"	3 - 3/4"	Bronze	6	3.9	
1753W		50005-2	97.3"	3 - 3/4"	White	6	3.9	

DEEP, ONE GANG OUTLET BOX WITH 3 THREADED OUTLETS

4⁹/₁₆" x 2¹³/₁₆" x 2⁵/₁₆", closure plugs, ground screw and mounting lugs included

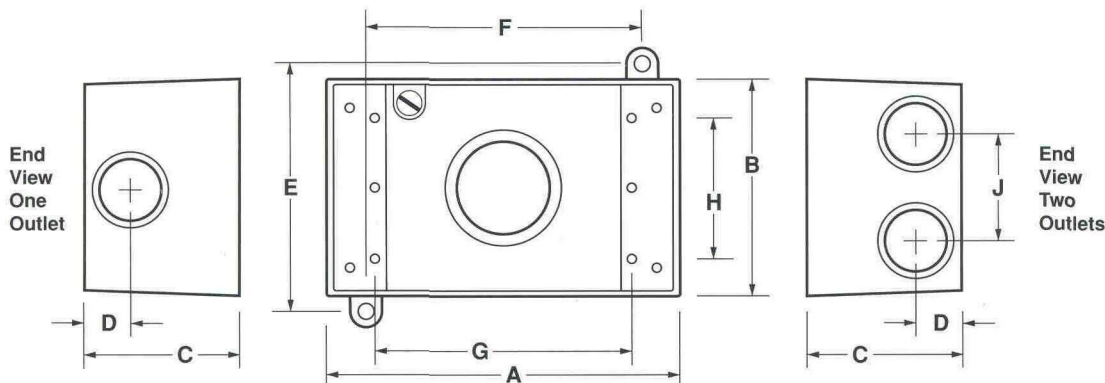


PACKAGE TYPE	BWF No.	Unit UPC 0-87115-	Unit Cubic	Description		Case QTY	Case WT
				Outlets	Color		
SHOW PAK	DB-5V	38006-7	23.8	3 - 1/2"	Grey	12	10
	DB-5AV	27103-7	23.8	3 - 1/2"	Bronze	12	10
	DB-5WV	27104-4	23.8	3 - 1/2"	White	12	10
	DB-75V	27105-1	23.8	3 - 3/4"	Grey	12	10
	DB-100V	27108-2	23.8	3 - 1"	Grey	12	10

One Gang Box & Extension Drawings

Single Gang Boxes - Standard & Deep Dimensions and Cubic Inches

BWF No.	Hub Size	A	B	C	D	E	F	G	H	J	Cubic Inches
B-5V	1/2"	4 ⁹ / ₁₆ "	2 ¹³ / ₁₆ "	2"	5/8"	3 ³ / ₁₆ "	3 ¹ / ₂ "	3 ¹ / ₄ "	1 ⁷ / ₈ "	-	18.3"
B-75V	3/4"	4 ⁹ / ₁₆ "	2 ¹³ / ₁₆ "	2"	5/8"	3 ³ / ₁₆ "	3 ¹ / ₂ "	3 ¹ / ₄ "	1 ⁷ / ₈ "	-	18.3"
B-100V	1"	4 ⁹ / ₁₆ "	2 ¹³ / ₁₆ "	2"	5/8"	3 ³ / ₁₆ "	3 ¹ / ₂ "	3 ¹ / ₄ "	1 ⁷ / ₈ "	-	18.3"
DB-5V	1/2"	4 ⁹ / ₁₆ "	2 ¹³ / ₁₆ "	2 ⁵ / ₈ "	3/4"	3 ³ / ₁₆ "	3 ¹ / ₂ "	3 ¹ / ₄ "	1 ⁷ / ₈ "	-	23.8"
DB-75V	3/4"	4 ⁹ / ₁₆ "	2 ¹³ / ₁₆ "	2 ⁵ / ₈ "	3/4"	3 ³ / ₁₆ "	3 ¹ / ₂ "	3 ¹ / ₄ "	1 ⁷ / ₈ "	-	23.8"
DB-100V	1"	4 ⁹ / ₁₆ "	2 ¹³ / ₁₆ "	2 ⁵ / ₈ "	3/4"	3 ³ / ₁₆ "	3 ¹ / ₂ "	3 ¹ / ₄ "	1 ⁷ / ₈ "	-	23.8"
B5-2V	1/2"	4 ⁹ / ₁₆ "	2 ¹³ / ₁₆ "	2"	5/8"	3 ³ / ₁₆ "	3 ¹ / ₂ "	3 ¹ / ₄ "	1 ⁷ / ₈ "	1 ¹ / ₂ "	18.3"
B75-2V	3/4"	4 ⁹ / ₁₆ "	2 ¹³ / ₁₆ "	2"	5/8"	3 ³ / ₁₆ "	3 ¹ / ₂ "	3 ¹ / ₄ "	1 ⁷ / ₈ "	1 ¹ / ₂ "	18.3"
B5-22V	1/2"	4 ⁹ / ₁₆ "	2 ¹³ / ₁₆ "	2"	5/8"	3 ³ / ₁₆ "	3 ¹ / ₂ "	3 ¹ / ₄ "	1 ⁷ / ₈ "	1 ¹ / ₂ "	18.3"
B75-22V	3/4"	4 ⁹ / ₁₆ "	2 ¹³ / ₁₆ "	2"	5/8"	3 ³ / ₁₆ "	3 ¹ / ₂ "	3 ¹ / ₄ "	1 ⁷ / ₈ "	1 ¹ / ₂ "	18.3"
B5-22XV	1/2"	4 ⁹ / ₁₆ "	2 ¹³ / ₁₆ "	2"	5/8"	3 ³ / ₁₆ "	3 ¹ / ₂ "	3 ¹ / ₄ "	1 ⁷ / ₈ "	-	18.3"
B75-22XV	3/4"	4 ⁹ / ₁₆ "	2 ¹³ / ₁₆ "	2"	5/8"	3 ³ / ₁₆ "	3 ¹ / ₂ "	3 ¹ / ₄ "	1 ⁷ / ₈ "	-	18.3"
B100-22XV	1"	4 ⁹ / ₁₆ "	2 ¹³ / ₁₆ "	2"	5/8"	3 ³ / ₁₆ "	3 ¹ / ₂ "	3 ¹ / ₄ "	1 ⁷ / ₈ "	-	18.3"
DB-5-22XV	1/2"	4 ⁹ / ₁₆ "	2 ¹³ / ₁₆ "	2 ⁵ / ₈ "	3/4"	3 ³ / ₁₆ "	3 ¹ / ₂ "	3 ¹ / ₄ "	1 ⁷ / ₈ "	-	23.8"
DB-75-22XV	3/4"	4 ⁹ / ₁₆ "	2 ¹³ / ₁₆ "	2 ⁵ / ₈ "	3/4"	3 ³ / ₁₆ "	3 ¹ / ₂ "	3 ¹ / ₄ "	1 ⁷ / ₈ "	-	23.8"
DB-100-22XV	1"	4 ⁹ / ₁₆ "	2 ¹³ / ₁₆ "	2 ⁵ / ₈ "	3/4"	3 ³ / ₁₆ "	3 ¹ / ₂ "	3 ¹ / ₄ "	1 ⁷ / ₈ "	-	23.8"



Extensions and Extension Adapters are used to provide additional capacity needed for NEC box fill requirements. Adapters allow installer to add "take-offs" to new boxes and/or devices.

