

One Gang Weatherproof Blank Covers - Die Cast Metal

BWF PRODUCT BENEFITS & FEATURES

- Rugged, seamless construction that prevents moisture entry.
- State of the art powder coat finish for maximum durability.
- Includes installation hardware, gasket and instructions.

COMPLIANCES

- UL Listed and CSA Certified



APPLICATIONS

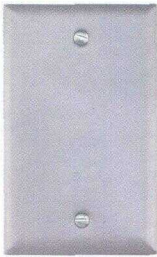
- For use with BWF one and two gang weatherproof boxes.
- Blank covers are for use whenever weatherproof protection is required for a one or two gang box.
- Raised covers provide a means of mounting detection devices, light sensitive photo-cells and accessories.
- Covers with self closing lids provide weatherproof protection when receptacle is not in use.
- Toggle switch covers provide weatherproof protection when an "on-off" type switch is required.



BWF Weatherproof covers are packaged with gasket, mounting hardware and complete "easy-to-install" instructions.

ALUMINUM ONE GANG BLANK COVER

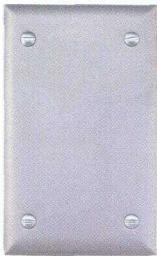
4⁹/₁₆" x 2¹³/₁₆", stamped aluminum cover, gasket & screws included



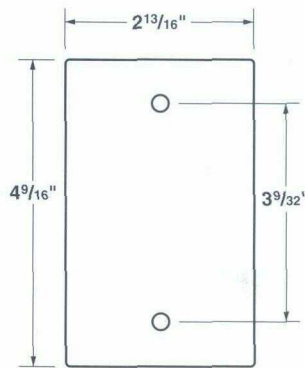
PACKAGE TYPE	BWF No.	Unit UPC 0-87115-	Unit Cubic	Description Outlets	Color	Case QTY	Case WT
SHOW PAK	BC-1V	29005-2	N/A	Blank	Grey	42	4
	BC-1AV	29505-7	N/A	Blank	Bronze	42	4
	BC-1WV	29705-1	N/A	Blank	White	42	4
BLISTER CARDED	711	00711-7	17.2	Blank	Grey	12	2
	711AB	29509-5	17.2	Blank	Bronze	12	2
	711W	50105-9	17.2	Blank	White	12	2

ALUMINUM ONE GANG BLANK COVER, "X" TYPE

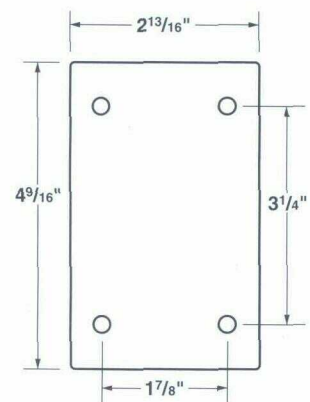
4⁹/₁₆" x 2¹³/₁₆", stamped aluminum cover, gasket & screws included



PACKAGE TYPE	BWF No.	Unit UPC 0-87115-	Unit Cubic	Description Outlets	Color	Case QTY	Case WT
SHOW PAK	BC-1XV	27231-7	N/A	Blank X	Grey	42	5
	BC-1XAV	27232-4	N/A	Blank X	Bronze	42	5
	BC-1XWV	27233-1	N/A	Blank X	White	42	5



BC-1V, 711



BC-1XV